

600VA - 1KVA - 2KVA

LINE INTERACTIVE UPS

PS-PLU600V#1B7A

PS-PLU1K#2B7A

PS-PLU2K#2B9A

USER MANUAL



SAFETY INSTRUCTION



CAUTION!

CAUTION! To prevent the risk of fire or electric shock, install in a temperature and humidity controlled indoor area free of conductive contaminants. (See the specifications for the acceptable temperature and humidity range.)

CAUTION! To reduce the risk of overheating the UPS, do not cover the UPS' cooling vents and avoid exposing the unit to direct sunlight or installing the unit near heat emitting appliances such as space heaters or furnaces.

CAUTION! Do not attach non-computer-related items, such as medical equipment, life-support equipment, microwave ovens, or vacuum cleaners to UPS.

CAUTION! Do not plug the UPS input into its own output.

CAUTION! Do not allow liquids or any foreign object to enter the UPS. Do not place beverages or any other liquid-containing vessels on or near the unit.

CAUTION! In the event of an emergency, press the OFF button and disconnect the power cord from the AC power supply to properly disable the UPS.

CAUTION! Do not attach a power strip or surge suppressor to the UPS.

CAUTION! If the UPS is with metal chassis, for safety purpose, grounding is a must during UPS installation in order to reduce leakage current below 3.5mA.

Attention hazardous through electric shock. Also with disconnection of this unit from the mains, hazardous voltage still may be accessible through supply from battery. The battery supply should be therefore disconnected in the plus and minus pole at the quick connectors of the battery when maintenance or service work inside the UPS is necessary.

CAUTION! Servicing of batteries should be performed or supervised by personnel knowledgeable of batteries and the required precautions. Keep unauthorized personnel away from batteries.

CAUTION! When replacing the batteries, use the same number and type of batteries.

CAUTION! Internal battery voltage is 12VDC. Sealed, lead-acid, 6-cell battery.

CAUTION! Do not dispose of batteries in a fire. The battery may explode. Do not open or mutilate the battery or batteries. Released electrolyte is harmful to the skin and eyes.

CAUTION! Unplug the UPS prior to cleaning and do not use liquid or spray detergent.

CAUTION! A battery can present a risk of electric shock and high short circuit current. The following precaution should be observed before replacing batteries:

- 1) Remove watches, rings, or other metal objects.
- 2) Use tools with insulated handles.
- 3) Wear rubber gloves and boots.
- 4) Do not lay tools or metal parts on top of batteries.
- 5) Disconnect charging source prior to connecting or disconnecting batteries terminal

1. Introduction

This product is an intelligent line interactive UPS (Uninterruptible Power Supply) which is designed to protect your personal computer or sensitive electronic equipments from all forms of power interference, including complete power failures. It is equipped with many features that allow any attached equipment to operate longer and more reliability.

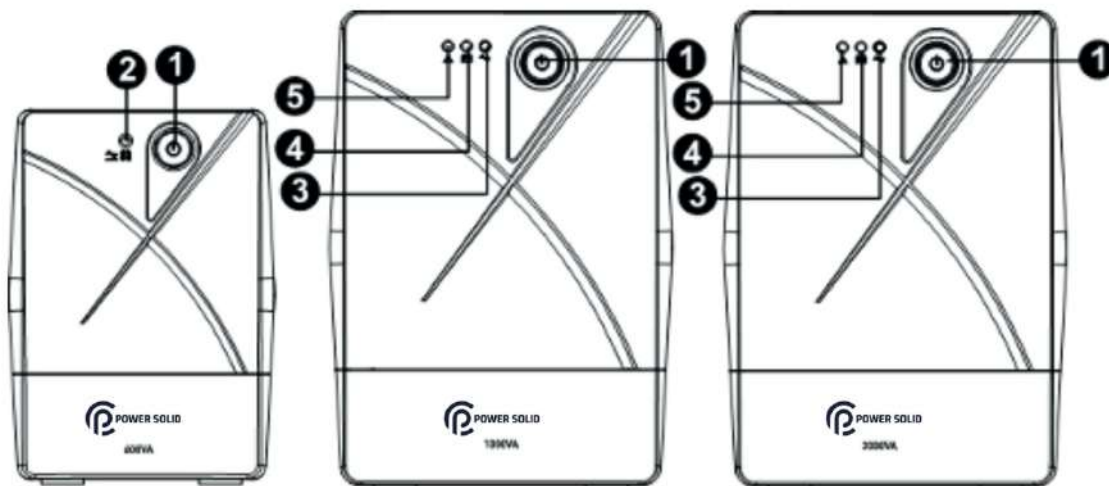
2. Package Contents

You should have received the following items inside of package:

- UPS unit
- User manual
- USB cable (For LINE INTERACTIVE 1000 and LINE INTERACTIVE 2000)

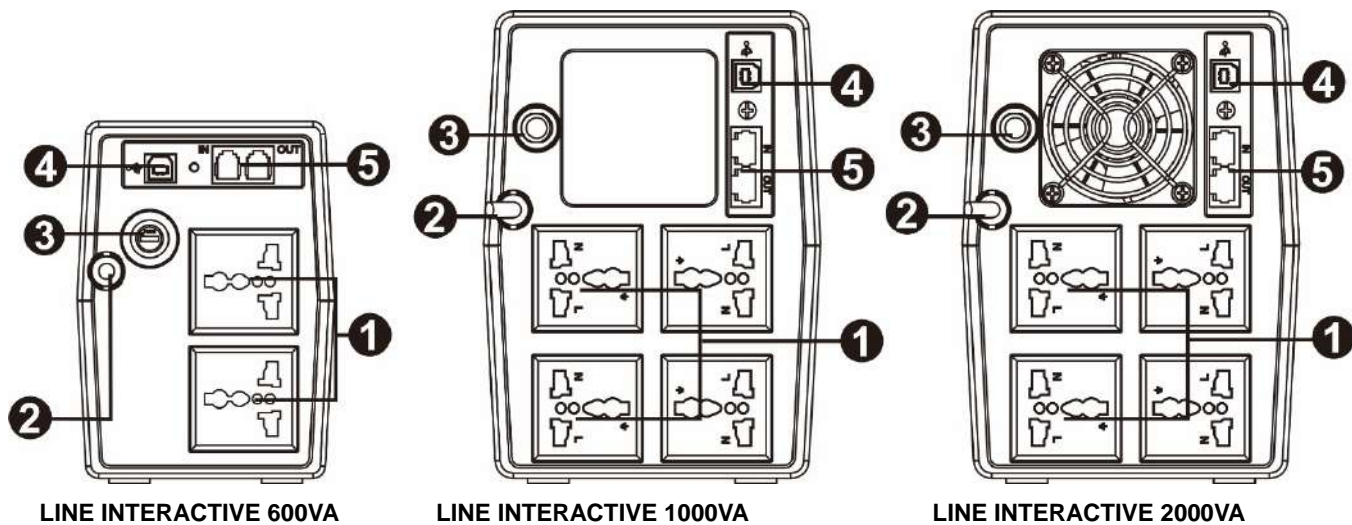
3. Product Overview

Front View



- ❶ Power switch
- ❷ UPS status LED
AC mode: solid green LED
Battery mode: flashing green LED
- ❸ AC mode indicator
- ❹ Battery mode indicator
- ❺ Fault indicator

Rear View



- ❶ Output receptacles
- ❷ AC input
- ❸ Circuit breaker
- ❹ USB port (Optional for LINE INTERACTIVE 600VA)
- ❺ RJ45 port (Optional for LINE INTERACTIVE 600VA)

4. Installation and Operation

NOTE: Before installation, please inspect the unit. Be sure that nothing inside the package is damaged.

1) Placement & Storage Conditions

Install the UPS in a protected area that is free of excessive dust and has adequate air flow. Please place the UPS away from other units at least 20 cm to avoid interference. Do NOT operate the UPS where the temperature exceeds 0-40° C and the humidity is over 0-90 % RH.



2) Connect to Utility and Charge

Plug in the AC input cord to the wall outlet. For the best results, we suggest charging the battery at least 6 hours before initial use. The unit charges its battery while connecting to the utility.



4 Hour

3) Connect the Loads

Plug in the loads to output receptacles on the rear panel of the UPS. Simply turn on the power switch of UPS unit, and devices connected to the UPS will be protected by UPS unit.



Do not attach a power strip or surge suppressor to the UPS.

4) Connect Modem or Phone for Surge Protection

Connect a single modem or phone line into surge-protected “IN” outlet on the back panel of the UPS unit. Connect from “OUT” outlet to the computer with another phone line cable.

5) Connect USB Cable

To monitor the UPS status, such as unattended UPS shutdown and start-up, by using bundled software, please connect the UPS and PC with USB cable included.



NEVER connect a laser printer or scanner to the UPS unit, because in-rush current generated by motor's devices may cause the damage of the unit.



6) Turn On/Off the Unit

Turn on the UPS unit by pressing the power switch. Turn off the UPS unit by pressing again the power switch.

7) Software Installation on your PC

- 1) Insert the included installation CD into CD-ROM drive and then follow the on-screen instructions. If there is no CD included, please go to the website www.powersolid.vn or <http://www.power-software-download.com> to download ViewPower software.
- 2) When your computer restarts, the monitoring software will appear as an orange plug icon located in the system tray, near the clock.

5. Audible alarm from the UPS

- When UPS switches from AC mode to Battery Mode to back up power supply: sounding every 10 seconds
- When battery is low: sounding every second
- When UPS is overloaded: sounding every 0.5 second
- When battery is faulty: sounding every 2 seconds
- Other fault: Continuous sounding

6. Trouble Shooting

Use the table below to solve minor problems.

Problem	Possible Cause	Solutions
No words display on the front panel.	Low battery.	Charge the UPS at least 6 hours.
	Battery fault.	Replace the battery with the same type of battery.
	The UPS is not turned on.	Press the power switch again to turn on the UPS.
Alarm continuously sounds when the mains is normal.	The UPS is overloaded.	Remove some loads first. Before reconnecting equipment, please verify that the load matches the UPS capability specified in the specifications.
When power fails, back-up time is shorten.	The UPS is overload.	Remove some critical load.
	Battery voltage is too low.	Charge the UPS at least 6 hours.
	Battery defect. It might be due to high temperature operation environment, or improper operation to battery.	Replace the battery with the same type of battery.
The mains is normal but the UPS is battery mode.	Power cord is loose.	Reconnect the power cord properly.

7. Specifications

Model	Line Interactive 600VA	Line Interactive 1000VA	Line Interactive 2000VA
CAPACITY	600 VA / 360 W	1000 VA / 600 W	2000 VA / 1200 W
INPUT			
Voltage	220/230/240 VAC		
Voltage Range	162~290 VAC		
Frequency Range	50/60 Hz (Auto sensing)		
OUTPUT			
Voltage Regulation	+/-10%		
Frequency Range	50 or 60 Hz +/-1 Hz		
Transfer Time	Typical 2-6 ms, 10 ms max.		
Waveform	Simulated Sine Wave		
BATTERY			
Type & Number	12 V/7 AH x 1	12 V/7 AH x 2	12 V/9 AH x 2
Charging Time	4-6 hours recover to 90% capacity		
INTERFACE			
Output Receptacle	Schuko x2	Schuko x4	Schuko x4
USB Port	1		
Telephone /Fax /Modem /Network Surge Suppression Port	Option	2 (IN and OUT)	
DISPLAY			
LCD Display	C mode, Battery Mode, Load level, Battery capacity, Input/output voltage, Overload, Fault		
PHYSICAL			
Dimension (DxWxH)	279x101x142 mm	320x130x182 mm	
Net Weight (kgs)	4.2	8.2	10.6
ENVIRONMENT			
Humidity	0-90 % RH @ 0-40° C (non-condensing)		
Noise Level	Less than 40 dB		
MANAGEMENT			
Via USB connection	Supports Windows 2000/2003/XP/Vista/2008/7/8, Linux, Unix, and MAC		



POWER SOLID

WWW.POWERSOLID.VN