



PRO 3.3 10 - 80KVA ONLINE UPS

USER MANUAL





PRO 3.3 10KVA / 20KVA / 30KVA/ 40KVA / 60KVA, 80KVA
PRO 3.3 10KVA / 20KVA / 30KVA/ 40KVA / 60KVA, 80KVA DUAL

PF= 1 ON-LINE

Uninterruptible Power Supply



USER MANUAL



Please comply with all warnings and operating instructions in this manual. This equipment should only be installed, serviced, and maintained by qualified personnel. Do not operate this unit before reading through all safety information and operating instructions carefully.

Disclaimer

We assume no responsibility or liability for loss or damages, whether direct, indirect, consequential or incidental, which might arise out of the use of such information. The use of any such information will be entirely at the user's risk. Information in this manual is subject to change without notice. We make no commitment to update or keep current the information in this manual. If you find information in this manual that is incorrect, misleading, or incomplete, we would appreciate your comments and suggestions.

SAFETY INSTRUCTIONS

SAVE THESE INSTRUCTIONS

This manual contains important instructions that you should follow during installation and maintenance of the UPS and batteries. Please read all instructions before operating the equipment and save this manual for future reference.

DANGER



The UPS contains **LETHAL VOLTAGES**. All repairs and service should be performed by **AUTHORIZED SERVICE PERSONNEL ONLY**. There are **NO USER SERVICEABLE PARTS** inside the UPS.

WARNING



- The UPS contains its own energy source (batteries). The UPS output may carry live voltage even when the UPS is not connected to an AC supply
- To reduce the risk of fire or electric shock, install the UPS in a temperature and humidity controlled, indoor environment, free of conductive contaminants. Ambient temperature must not exceed 40°C (104°F). Do not operate near water or excessive humidity (90% maximum).
- To reduce the risk of fire, connect only to a circuit provided with branch circuit overcurrent protection in accordance with the National Electrical Code (NEC), ANSI/NFPA 70.
- Output overcurrent protection and disconnect switch must be provided by others.
- To comply with international standards and wiring regulations, the sum of the leakage current of the UPS and the total equipment connected to the output of the UPS must not have an earth leakage current greater than 3.5 mA.
- If the UPS requires any type of transportation, verify that the UPS is unplugged and turned off and then disconnect the UPS internal battery connector.

CAUTION



- Batteries can present a risk of electrical shock or burn from high short-circuits current. Observe proper precautions. Servicing should be performed by qualified service personnel knowledgeable of batteries and required precautions. Keep unauthorized personnel away from batteries.
- Proper disposal of batteries is required. Refer to your local codes for disposal requirements.
- Never dispose of batteries in a fire. Batteries may explode when exposed to flame.

- **Symbol Conventions**

- The symbols that may be found in this document are defined as follows.









Symbol	Description
 DANGER	Indicates an imminently hazardous situation which, if not avoided, will result in death or serious injury.
 WARNING	Indicates a potentially hazardous situation which, if not avoided, could result in death or serious injury.
 CAUTION	Indicates a potentially hazardous situation which, if not avoided, may result in minor or moderate injury.
 NOTICE	<p>Indicates a potentially hazardous situation which, if not avoided, could result in equipment damage, data loss, performance deterioration, or unanticipated results.</p> <p>NOTICE is used to address practices not related to personal injury.</p>
 NOTE	<p>Calls attention to important information, best practices and tips.</p> <p>NOTE is used to address information not related to personal injury, equipment damage, and environment</p>
	This symbol indicates that you should not discard the UPS or the UPS batteries in the trash. This product contains sealed, lead-acid batteries and must be disposed of properly. For more information, contact your local recycling/reuse or hazardous waste center.
	This symbol indicates that you should not discard waste electrical or electronic equipment (WEEE) in the trash. For proper disposal, contact your local recycling/reuse or hazardous waste center.

Table of Contents

1. Safety and EMC instructions	1
1-1. Transportation and Storage	1
1-2. Preparation	1
1-3. Installation	1
1-4.  Connection Warnings	2
1-5. Operation	3
1-6. Standards	3
2. Installation and Operating	4
2.1. Unpacking and Inspection	4
2-2. Rear panel, Wiring Terminal view	5
2-3. Single UPS Installation.....	9
2-4. UPS Installation for Parallel System.....	14
2-5. Software Installation	17
3. Operations	18
3-1. Button operation	18
3-2. Screen description	18
3-3. Audible Alarm	44
3-4. Single UPS Operation	44
3-5. Parallel Operation	47
3-6. Fault Code	49
3-7. Warning Code.....	50
4. Troubleshooting	51
5. Storage and Maintenance	53
5-1. Storage	53
5-2. Maintenance	53
6. Specifications	54

1. Safety and EMC instructions

All safety instructions in this document must be read, understood and followed.

1-1. Transportation and Storage



Please transport the UPS system only in the original packaging to protect against shock and damage.



The UPS must be stored in the room where the temperature is well regulated. Ambient temperature should not exceed 40°C.

1-2. Preparation



Condensation may form if the UPS system is moved immediately from cold to warm environment. The UPS system must be absolutely dry before being installed. Please allow at least two hours for the UPS system to acclimate the environment.



Do not install the UPS system near water or in moist environments.



Do not install the UPS system where it would be exposed to direct sunlight or nearby heat source.



Do not block ventilation holes in the UPS housing.

1-3. Installation



Do not connect appliances or devices which would overload the UPS (e.g. big motor-type equipment) to the UPS output terminal.



Place cables in such a way that no one can step on or trip over them.



Do not block air vents on the housing of the UPS. Ensure proper unit spacing of ventilation.



UPS came equipped with grounding terminal, in the final installation phase, connect grounding/ earthing wire to the external UPS battery cabinets or appropriate grounding terminals.



The UPS can be installed only by qualified maintenance personnel.



An appropriate disconnect device such as short-circuit backup protection should be incorporated during installation.



An integral emergency shutoff switch which prevents additional load from the UPS in any mode of operation should be implemented during the installation.



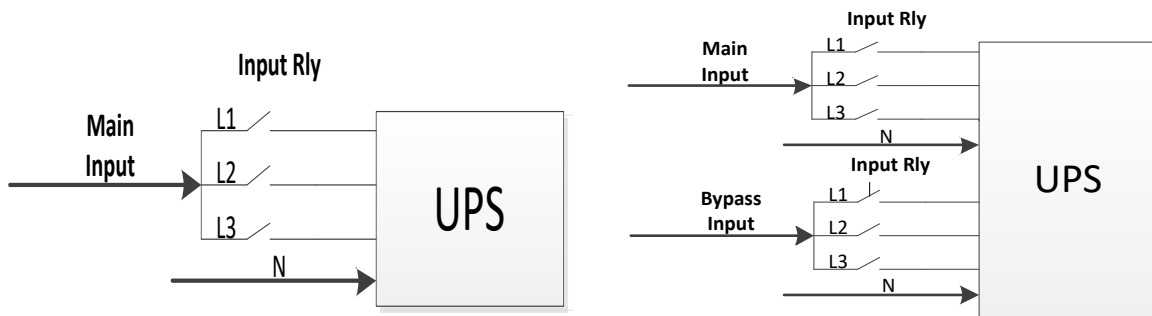
Secure the grounding/earthing wire before connecting to any live wire terminal.



Installation and Wiring must be performed in accordance with the local electrical laws and regulations

1-4. Connection Warnings

- There is no standard backfeed protection inside of the UPS. However, there are relays on the Input to cut off line voltage and while the neutral is still connect to UPS.



Input relay diagram

Input relay diagram for dual-input model

- This UPS should be connected with **TN** earthing system
- The power input for this unit must be three-phase rated in accordance with the equipment nameplate. It also must be suitably grounded.

WARNING
HIGH LEAKAGE CURRENT
EARTH CONNECTION ESSENTIAL
BEFORE CONNECTING SUPPLY

- Use of this equipment in medical instrument of any life-sustaining equipment where failure of this equipment can reasonably be expected to cause the failure of the life-sustaining equipment or to significantly affect its safety or effectiveness is not recommended. Do not use this equipment in the presence of a flammable mixture with air, oxygen or nitrous oxide.
- Connect grounding terminal of UPS to a grounding electrode conductor.
- In accordance with safety standard EN-IEC 62040-1, installation has to be provided with a «Backfeed Protection» system, as for example a contactor, which will prevent the appearance of voltage or dangerous energy in the input mains during a mains fault (see figure 24 and respect the wiring diagram of «Backfeed Protection» depending if the equipment is with signal or three phase input).




There can be no derivation in the line that goes from the «Backfeed Protection» to the UPS, as the standard safety would be infringed






- Warning labels should be placed on all primary power switches installed in places away from the unit to alert the electrical maintenance personnel of the presence of a UPS in the circuit. The label will bear the following or an equivalent text.

Before working on this circuit

- Isolate Uninterruptible Power System (UPS)
- Then check for Hazardous Voltage between all terminals including the protective earth.

 **Risk of Voltage Backfeed**

1-5. Operation

-  Do not disconnect the grounding/earthing conductor cable on the UPS or the building wiring terminals under any circumstance.
-  The UPS system features its own, internal current source (batteries). The UPS output sockets or output terminal blocks may be electrically live even if the UPS system is not connected to the building mains/live wires. (only for standard models).
-  In order to fully disconnect the UPS system, first press the “OFF” button and then disconnect the mains/live wires.
-  Ensure that no liquid or other foreign objects can enter into the UPS system.
-  The UPS can be operated by any individuals with no previous experience.

1-6. Standards

* Safety	
IEC/EN 62040-1	
* EMI	
Conducted Emission.....: IEC/EN 62040-2	Category C3
Radiated Emission.....: IEC/EN 62040-2	Category C3
*EMS	
ESD.....: IEC/EN 61000-4-2	Level 4
RS.....: IEC/EN 61000-4-3	Level 3
EFT..... : IEC/EN 61000-4-4	Level 4
SURGE..... : IEC/EN 61000-4-5	Level 4
CS..... : IEC/EN 61000-4-6	Level 3
Power-frequency Magnetic field... : IEC/EN 61000-4-8	Level 4
Low Frequency Signals.....: IEC/EN 61000-2-2	
Warning: This is a product for commercial and industrial application in the second environment-installation restrictions or additional measures may be needed to prevent disturbances.	

2. Installation and Operation

These series come with VAC systems: 400V. Please refer to the following table.

VAC System	Model	
400VAC	PRO 10KVA	PRO 10KVA DUAL
	PRO 20KVA	PRO 20KVA DUAL
	PRO 30KVA	PRO 30KVA DUAL
	PRO 40KVA	PRO 40KVA DUAL
	PRO 60KVA	PRO 60KVA DUAL
	PRO 80KVA	PRO 80KVA DUAL

We also offer optional parallel function for both models upon request. The UPS with parallel function is called the “Parallel model”. We have detail installation and operation procedure of the Parallel Model in the following chapter.

2-1. Unpacking and Inspection

Unpack the package and check the package contents. The shipping package contains:

- One UPS
- One user manual
- One monitoring software CD
- One RS-232 Cable (Option)
- One USB Cable
- One parallel cable (only available for parallel model)
- One share current cable (only available for parallel model)
- One external battery cable

NOTE: Before the installation, please inspect the unit. Be sure that there is no physical damage to the unit. Do not turn on the unit and notify the carrier and dealer immediately if there is any damage or missing parts and accessories. Please keep the original packaging for future use. It is recommended to keep each equipment and battery set in their original packaging because they have been designed to provide maximum protection during transportation and storage.

2-2. Rear Panel, Wiring Terminal View

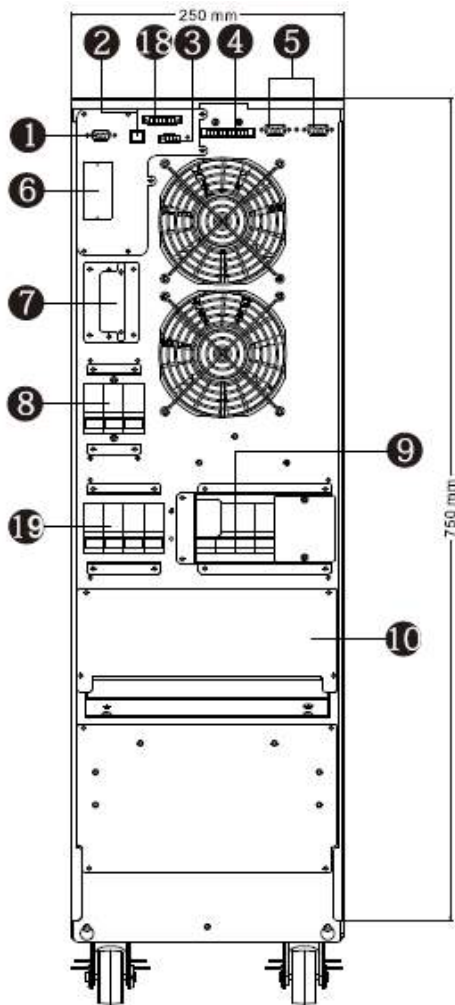


Diagram 1: PRO 10KVA / 20KVA Rear Panel

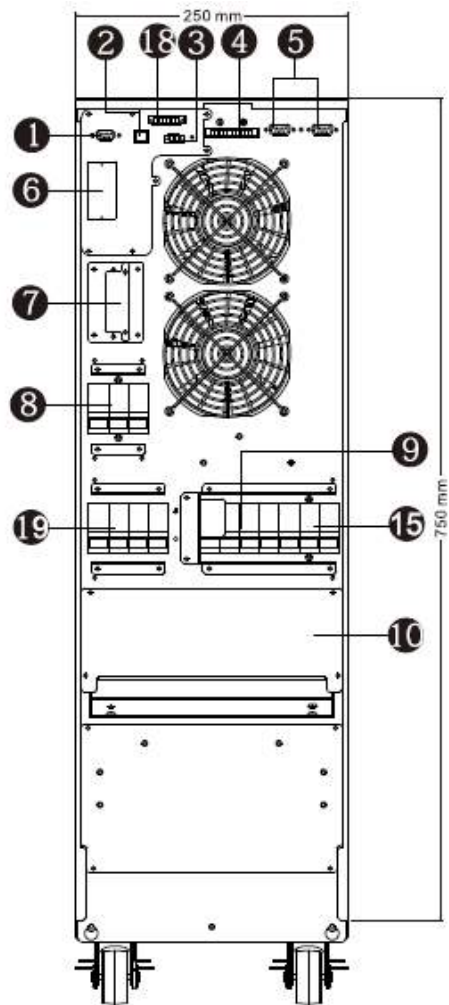


Diagram 2: PRO 10KVA / 20KVA DUAL Rear Panel

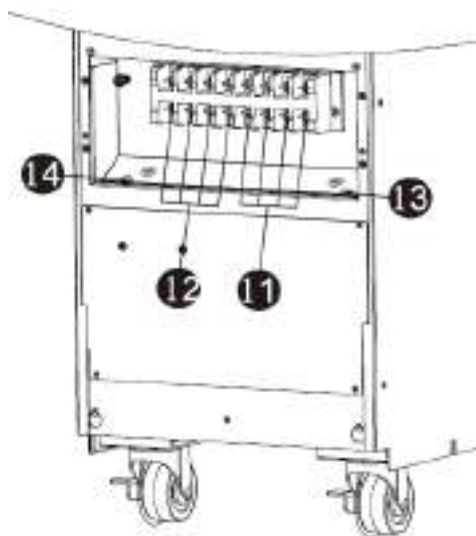


Diagram 3: PRO 10KVA / 20KVA Input/Output Terminal

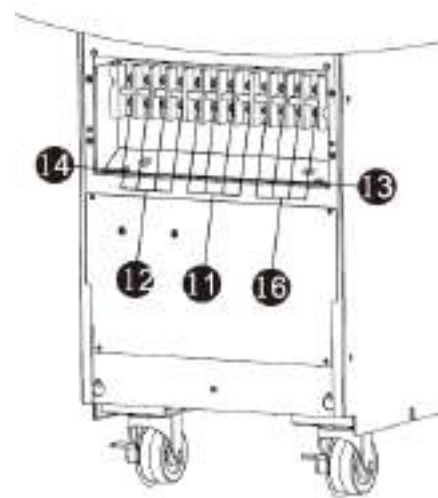


Diagram 4: PRO 10KVA / 20KVA DUAL Input/Output Terminal

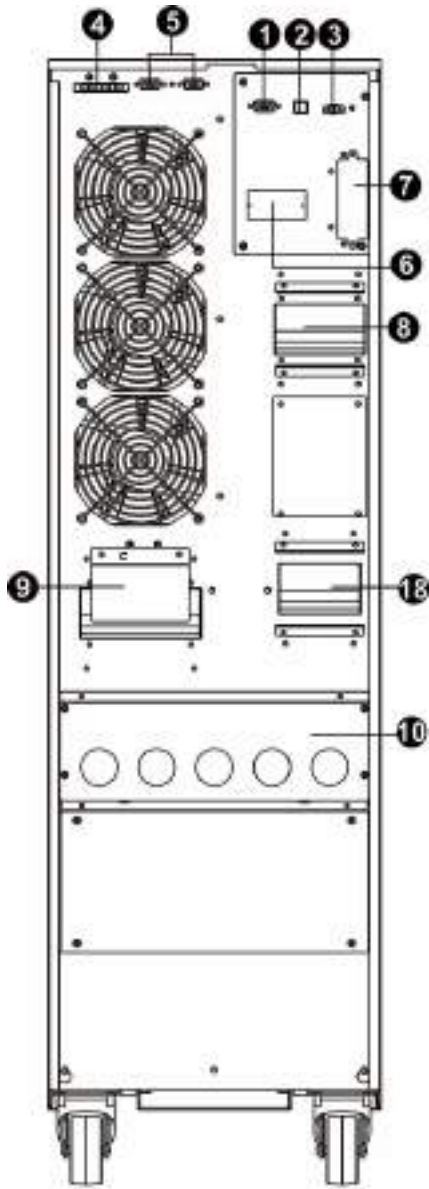


Diagram 5: PRO 30KVA / 40KVA Rear Panel

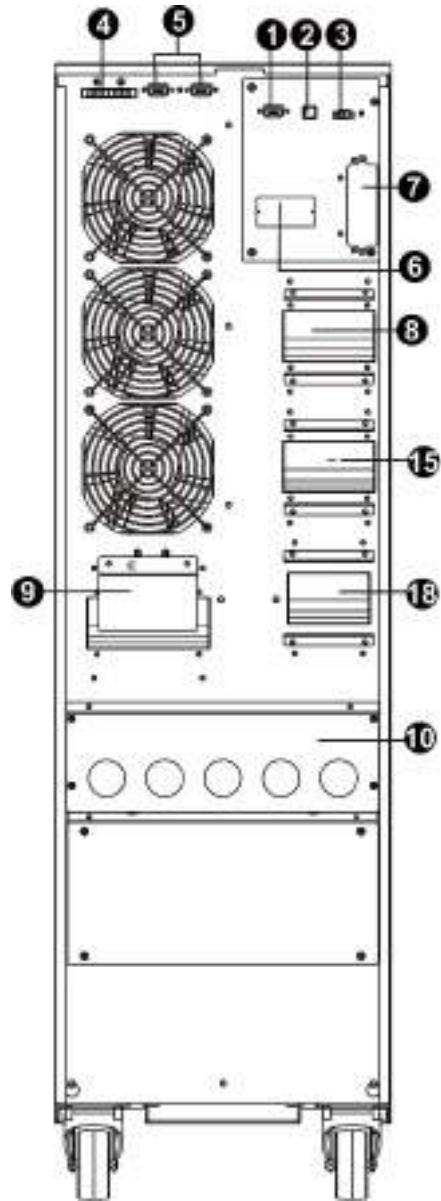


Diagram 6: PRO 30KVA / 40KVA Dual Rear Panel

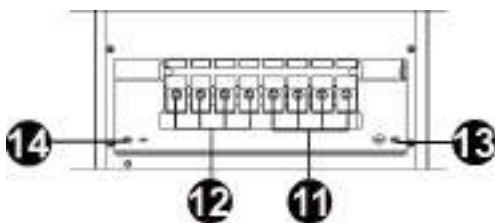


Diagram 7: PRO 30KVA / 40KVA Input / Output terminal

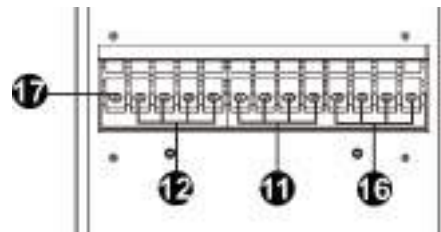


Diagram 8: PRO 30KVA / 40KVA Dual Input / Output Terminal

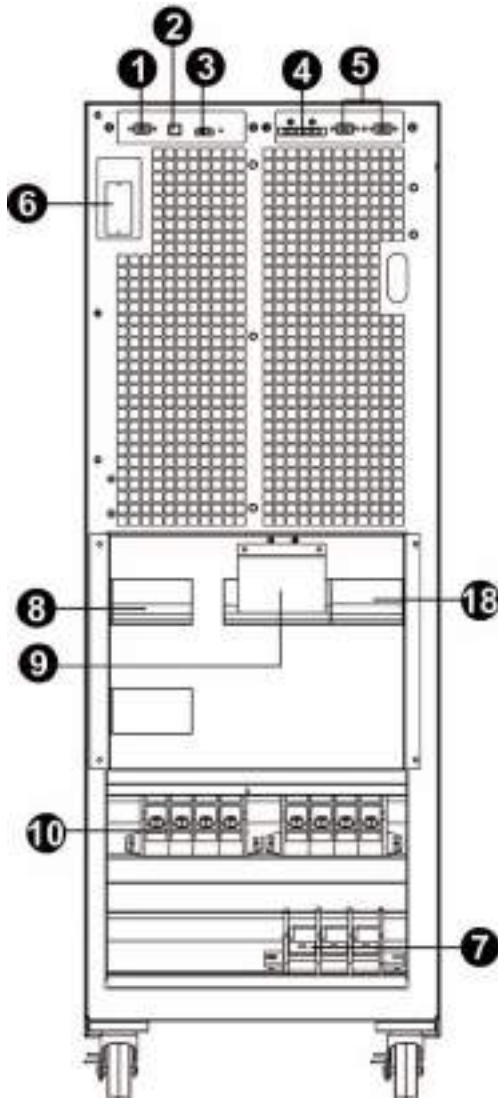


Diagram 9: PRO 60KVA front view with door open

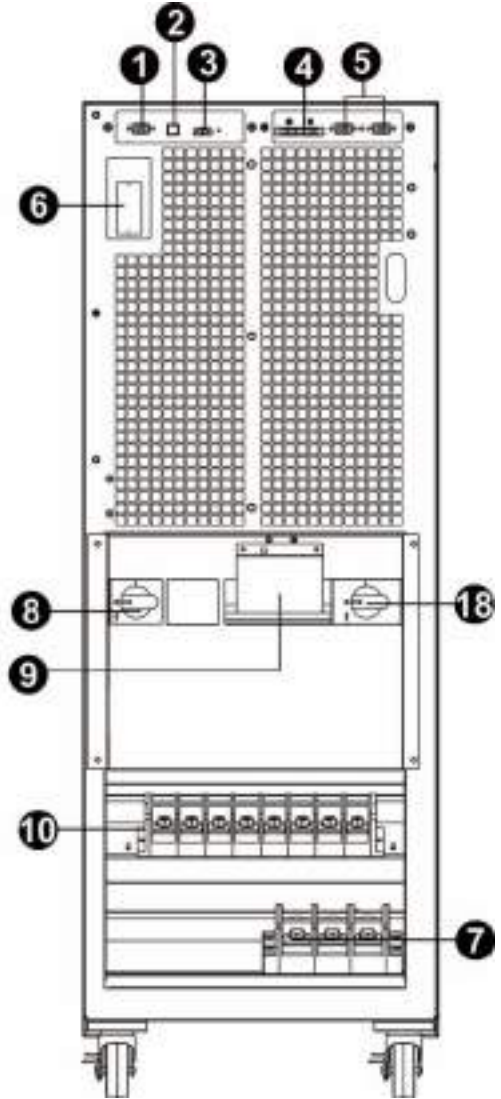


Diagram 10: PRO 80KVA front view with door open

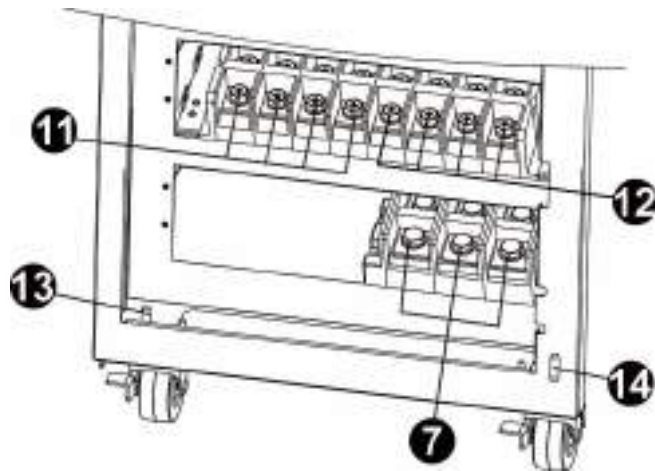


Diagram 11: PRO 60KVA / 80KVA Input/Output Terminal

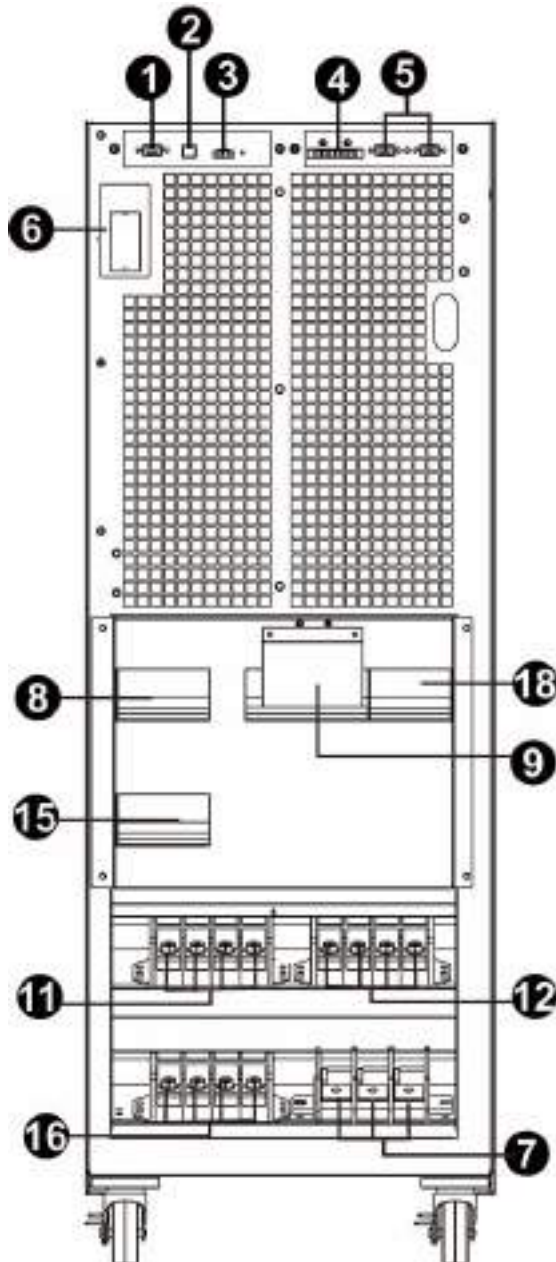


Diagram 12: PRO 60KVA Dual front view with door open

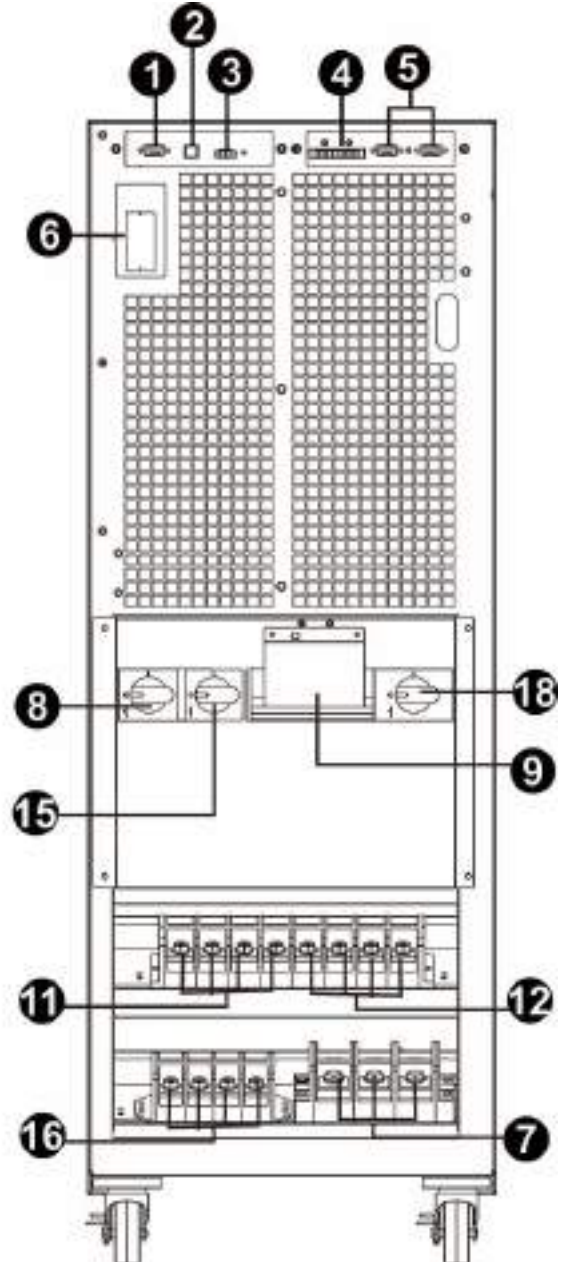


Diagram 13: PRO 80KVA Dual front view with door open

1. RS-232 communication port)
2. USB communication port
3. Emergency power off function connector (EPO connector)
4. Share current port (only available for parallel model)
5. Parallel port (only available for parallel model)
6. Intelligent slot
7. External battery connector/terminal
8. Line input circuit breaker/switch
9. Maintenance bypass switch (option)

10. Input/Output terminal (Refer to diagram 3, 4, 7, 10, 13, 14 and 15 for the details)
11. Line input terminal
12. Output terminal
13. Input grounding terminal
14. Output grounding terminal
15. Bypass input circuit breaker/switch
16. Bypass input terminal
17. Grounding terminal
18. Output Switch
19. Dry contact communication port (Optional)

2-3. Single UPS Installation

Installation and wiring must be carried out in accordance with the local electric laws and regulations by trained professionals.

- 1) Make sure that the mains wire and breakers of the building are rated for the capacity of the UPS to prevent electric shock or risk of fire.

NOTE: Do not use the wall receptacle as the input power source for the UPS, as its rated current is less than the UPS's maximum input current. The receptacle may be damaged and destroyed.

- 2) Switch off the mains switch in the building before installation.
- 3) Turn off all the connected devices before connecting to the UPS.
- 4) Prepare wires based on the following table:

Model	Wiring spec (AWG - mm ²)				
	Input(Ph)	Output(Ph)	Neutral	Battery	Ground
PRO10KVA PRO10KVA Dual	14 - 2,5	14 - 2,5	10 - 6	8 - 10	8 - 10
PRO 20KVA PRO 20KVA Dual	10 - 6	10 - 6	6 - 16	6 - 16	6 - 16
PRO 30KVA PRO 30KVA Dual	8 - 10	8 - 10	4 - 25	4 - 25	4 - 25
PRO 40KVA PRO 40KVA Dual	6 - 16	6 - 16	4 - 25	4 - 25	4 - 25
PRO 60KVA PRO 60KVA Dual	4 - 25	4 - 25	1 - 50	1 - 50	4 - 25
PRO 80KVA PRO 80KVA Dual	2 - 35	2 - 35	1/0 - 50	1/0 - 50	2 - 35

NOTE 1: The cable for PRO 10KVA and PRO10KVA DUAL should be able to withstand over 20A current. It is recommended to use AWG 14 (2,5mm²) or

thicker wire for Phase and AWG10 (6mm²) or thicker wire for Neutral for safety and efficiency.

NOTE 2: The cable for PRO10KVA DUAL should be able to withstand over 30A current. It is recommended to use AWG 12 (4mm²) or thicker wire for Phase and AWG10 (6mm²) or thicker wire for Neutral for safety and efficiency.

NOTE 3: The cable for PRO 20KVA and PRO 20KVA DUAL should be able to withstand over 40A current. It is recommended to use AWG10 (6mm²) or thicker wire for Phase and AWG 6 (16mm²) or thicker wire for Neutral for safety and efficiency.

NOTE 4: The cable for PRO 30KVA and PRO 30KVA should be able to withstand over 60A current. It is recommended to use AWG 8 (10mm²) or thicker wire for Phase and AWG 4 (25mm²) or thicker wire for Neutral for safety and efficiency.

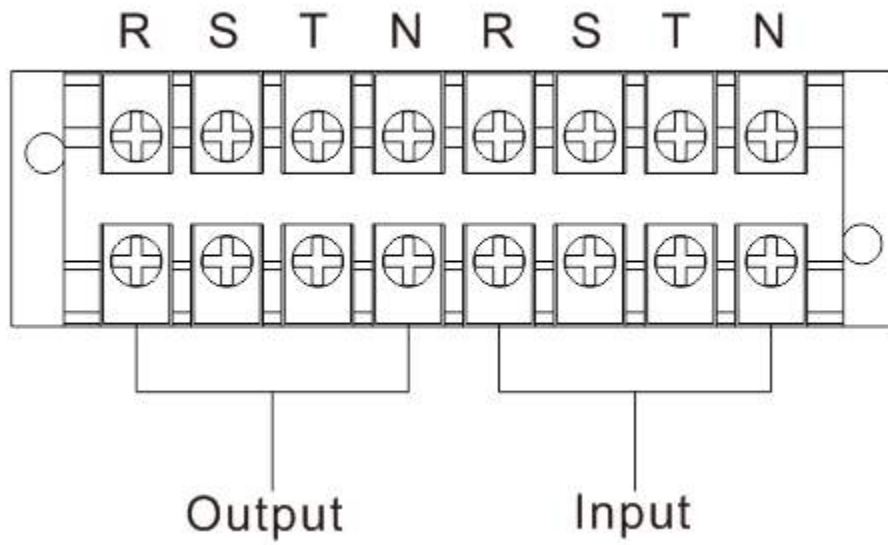
NOTE 5: The cable for PRO 40KVA and PRO 40KVA should be able to withstand over 80A current. It is recommended to use AWG 6 (16mm²) or thicker wire for Phase and AWG 4 (25mm²) or thicker wire for Neutral for safety and efficiency.

NOTE 6: The cable for PRO 60KVA and PRO 60KVA DUAL should be able to withstand over 120A current. It is recommended to use AWG 4 (25mm²) or thicker wire for Phase and AWG 1 (50mm²) or thicker wire for Neutral for safety and efficiency.

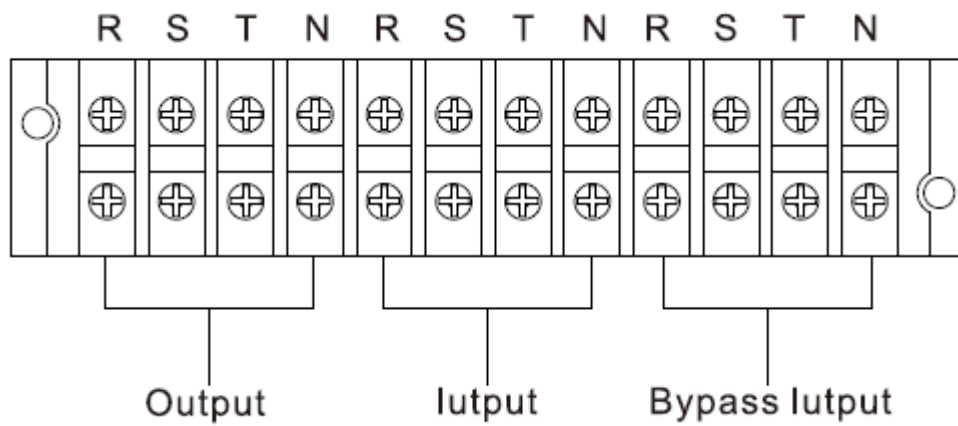
NOTE 7: The cable for PRO 80KVA and PRO 80KVA DUAL should be able to withstand over 160A current. It is recommended to use AWG 2 (35mm²) or thicker wire for Phase and AWG 1/0 (50mm²) or thicker wire for Neutral for safety and efficiency.

NOTE 8: The selections for color of wires should be followed by the local electrical laws and regulations.

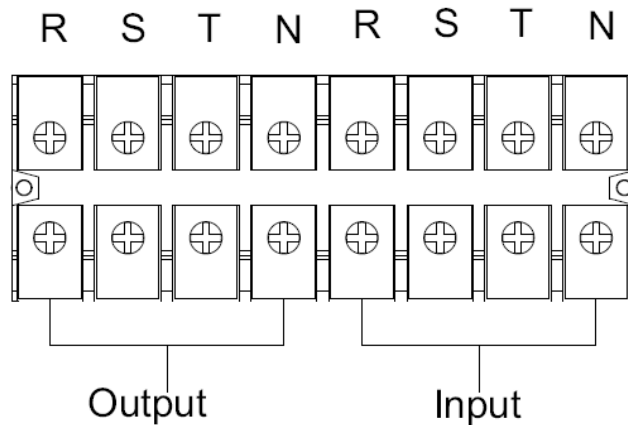
- 5) Remove the terminal block cover at the rear panel of UPS. Then connect the wires according to the following terminal block diagrams: (Connect the grounding/earthing wire first when making other wire connections. Remove the grounding/earthing wire last when connecting the UPS!).



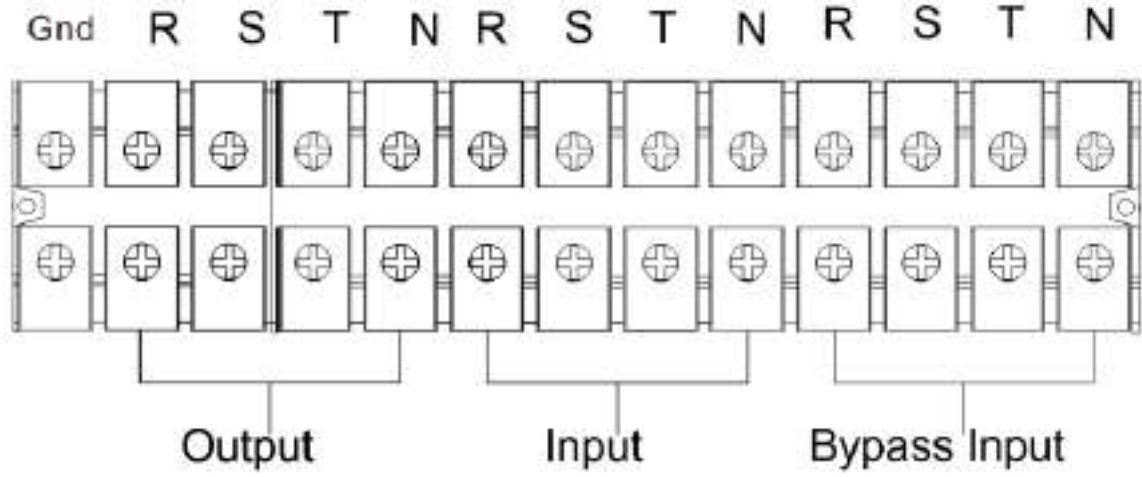
Terminal block wiring diagram for PRO 10KVA / 20KVA



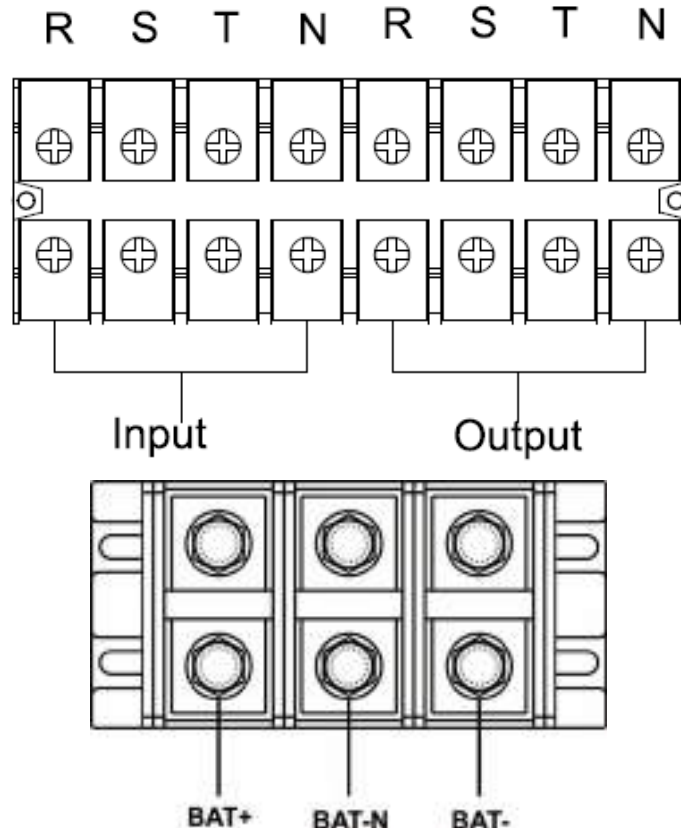
Terminal block wiring diagram for PRO 10KVA / 20KVA Dual



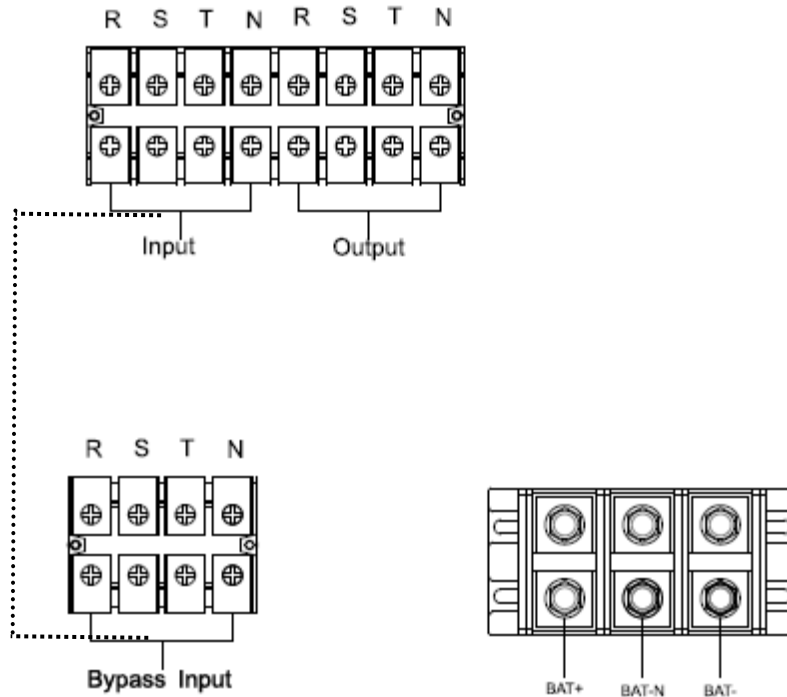
Terminal block wiring diagram for PRO 30KVA / 40KVA



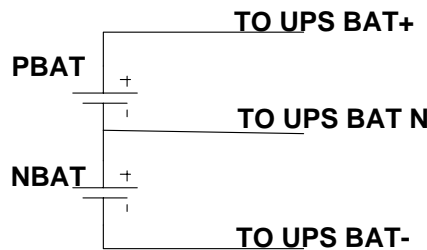
Terminal block wiring diagram for PRO 30KVA / 40KVA Dual



Terminal block wiring diagram for PRO 60KVA / 80KVA



Terminal block wiring diagram for PRO 60KVA / 80KVA Dual



Battery wires connection schematic

NOTE 1: Make sure that the wires are connected securely with the terminals.

NOTE 2: Please the output breaker between the output terminal and the load, and the breaker should have leakage current protective function if necessary.

6) Put the terminal block cover back to the rear panel of the UPS.



Warning:

- Make sure a DC breaker or other protective device between UPS and the external battery pack is installed for added safety. If not, please install it carefully. Switch off the battery breaker before installation.

NOTE: Set the battery pack breaker in “OFF” position and then install the battery pack.

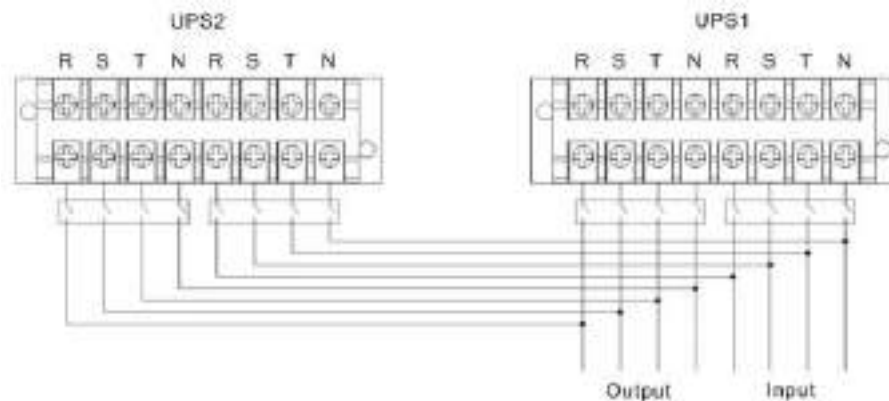
- Pay special attention to the rated battery voltage marked on the rear panel. If you want to change the numbers of the battery in a chain, make sure you modify the UPS setting accordingly. Connection with wrong battery voltage may cause irreversible damage of the UPS.

- Pay special attention to the polarity marking on external battery terminal block. Connection with wrong battery voltage may cause irreversible damage of the UPS.
- Make sure the protective grounding/earthing wiring is adequate. The current spec, color, position, connection and conductance reliability of the wire should be verified.
- Make sure the utility input & output wiring is rated correctly. The current spec, color, position, connection and conductance reliability of the wire should be verified. Make sure the L/N side is correct, not reverse or short-circuited.

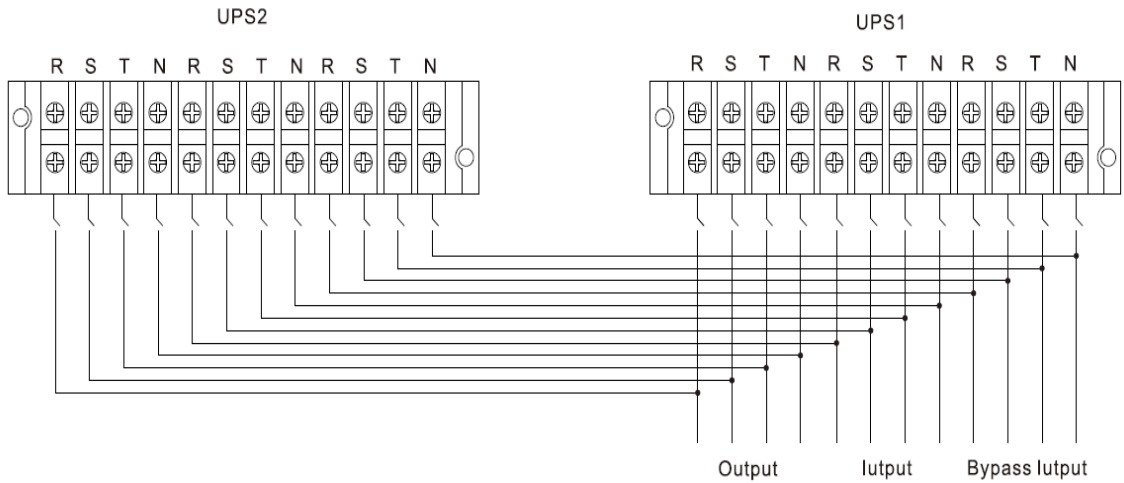
2-4. UPS Installation for Parallel System

If the UPS is only available for single operation, you may skip this section.

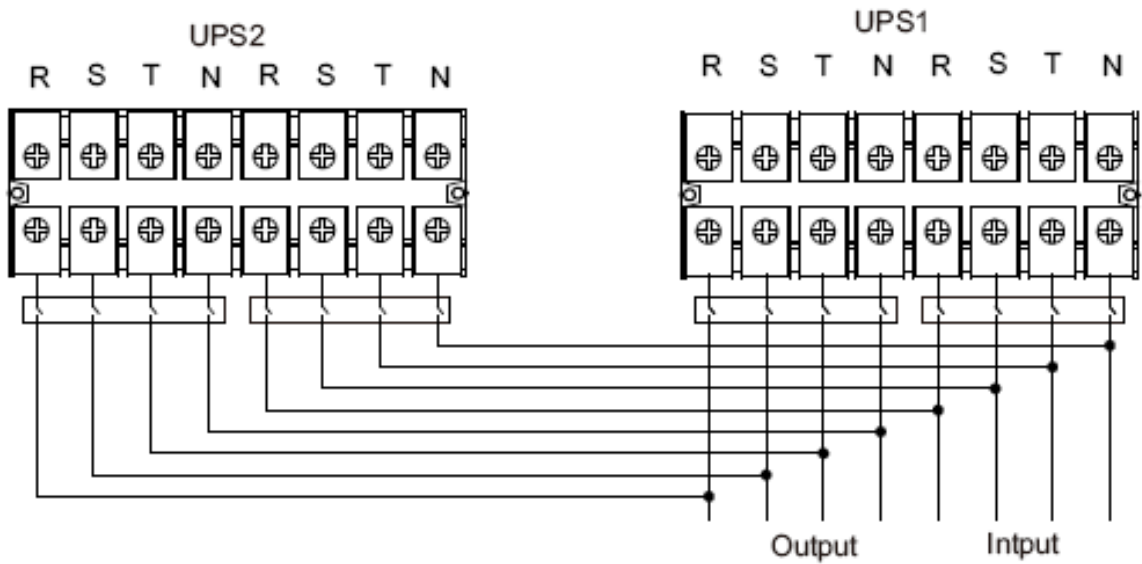
- 1) Install and wired the UPS according to the section 2-3.
- 2) Connect the output wires of each UPS to an output breaker.
- 3) Connect all output breakers to a major breaker. This major output breaker will then connect directly to the loads.
- 4) Either common battery packs or independent battery packs for each UPS are allowed.
- 5) Refer to the following wiring diagram:



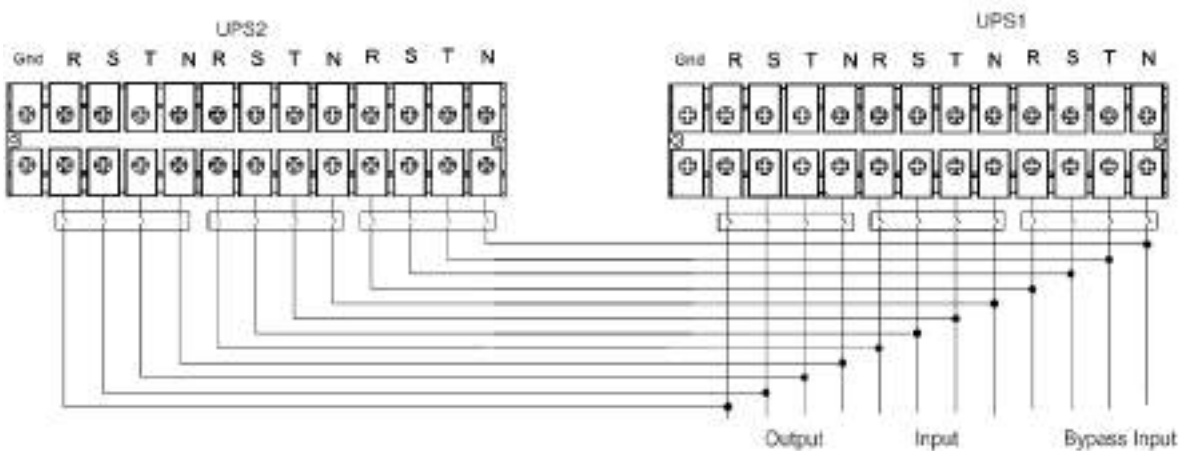
Wiring diagram of parallel system for PRO 10KVA / 20KVA



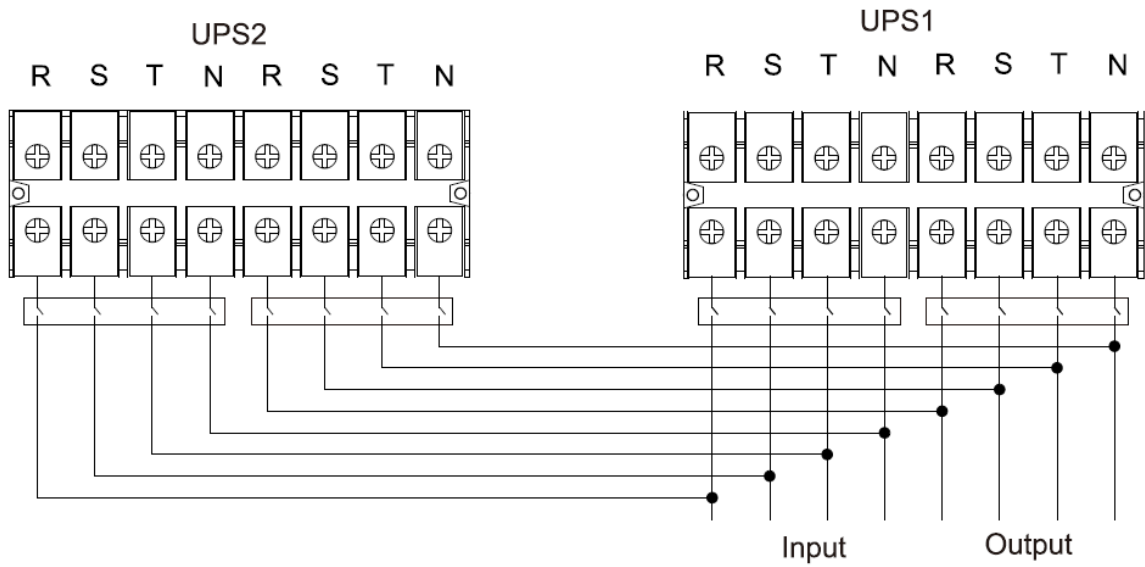
Wiring diagram of parallel system for PRO 10KVA / 20KVA DUAL



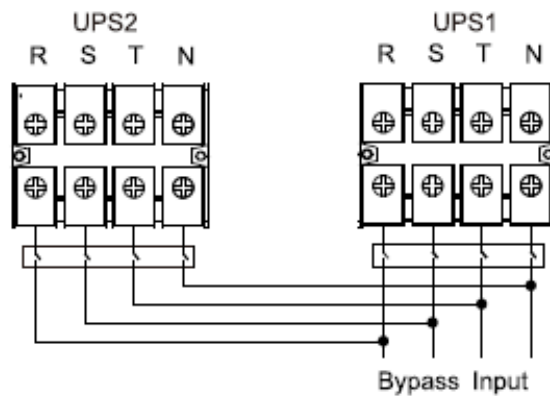
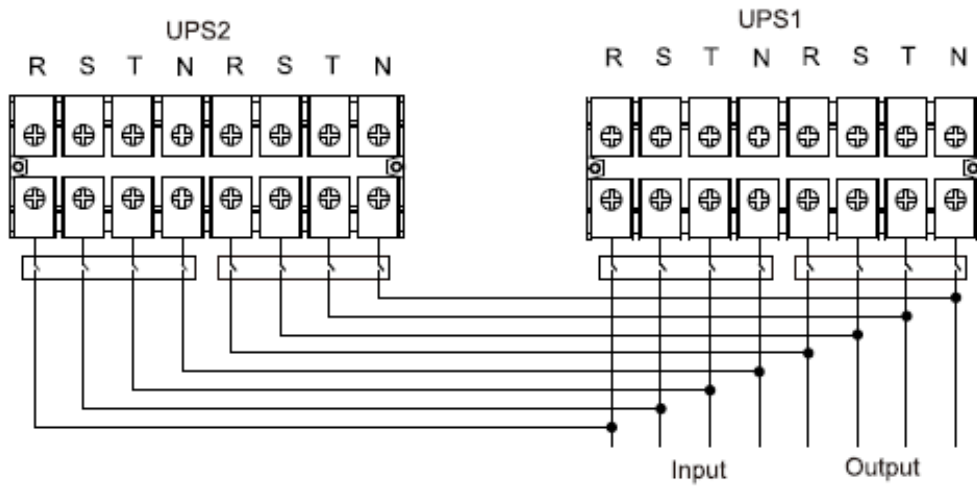
Wiring diagram of parallel system for PRO 30KVA / 40KVA



Wiring diagram of parallel system for PRO 30KVA / 40KVA DUAL



Wiring diagram of parallel system for PRO 60KVA / 80KVA



Wiring diagram of parallel system for PRO 60KVA / 80KVA DUAL

2-5. Software Installation

For optimal computer system protection, install UPS monitoring software to fully configure UPS shutdown.

Use supplied RS-232 or USB communication cable to connect RS-232/USB port of UPS and RS-232/USB port of PC. Then, follow below steps to install monitoring software.

1. Insert the included installation CD into CD-ROM drive and then follow the on-screen instructions to proceed software installation. If there no screen shows 1 minute after inserting the CD, please execute setup.exe file for initiating software installation.
2. If you don't have CD, The program can be set up by downloading from www.powersolid.vn or <http://www.power-software-download.com> web site. You run the setup.exe file after downloading the program
3. Follow the on-screen instructions to install the software.
4. When your computer restarts, the monitoring software will appear as an orange plug icon located in the system tray, near the clock.

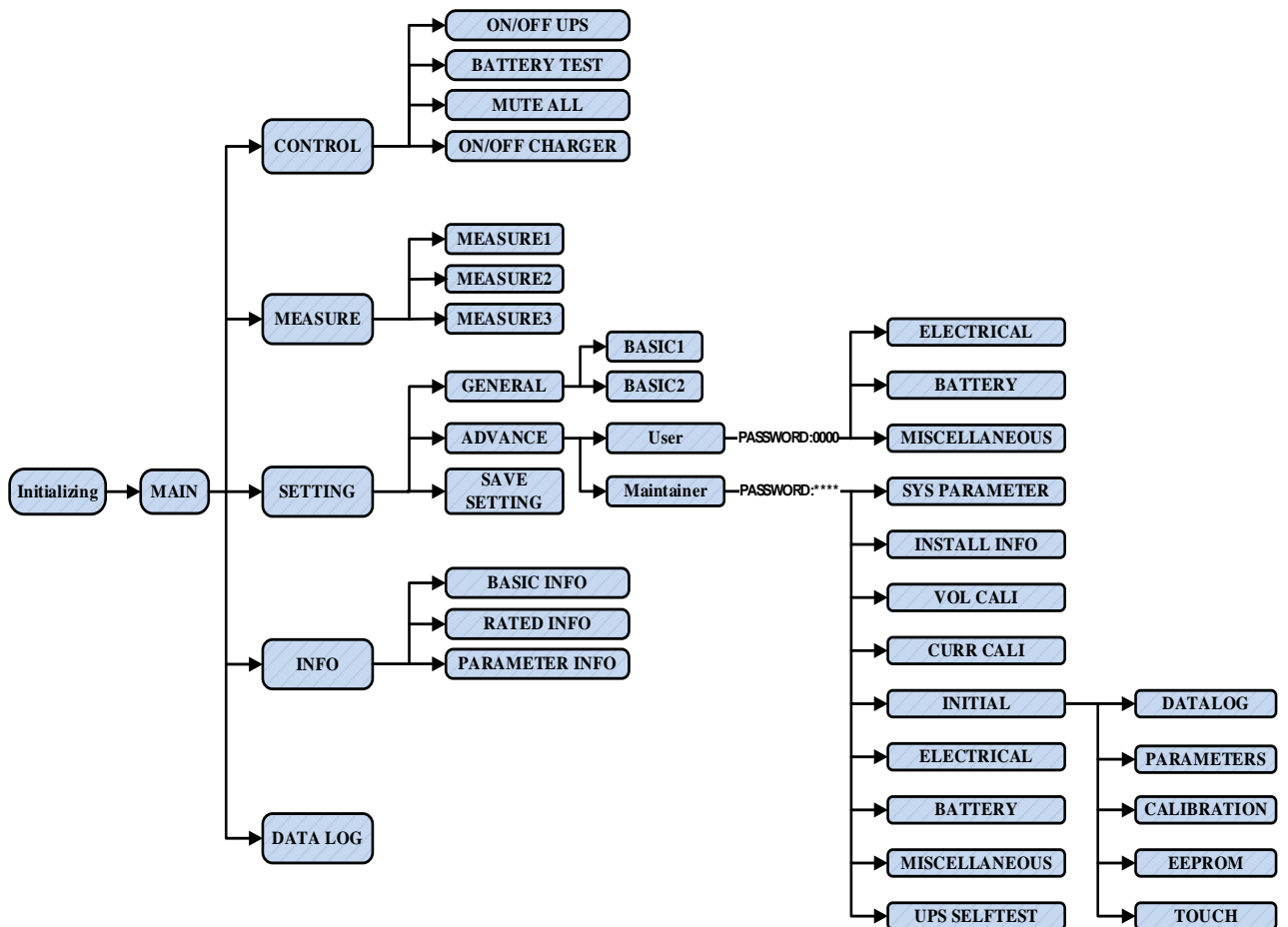
3. Operations

3-1. Button Operation

- 1) Before operation, make sure that the two strings of batteries are connected correctly in order of "+,GND,-" terminals and the breaker of the battery pack is at "ON" position (only for long-run model).
- 2) Press the "POWER" button to set up the power supply for the UPS. UPS will enter into power on mode. After initialization, UPS will enter into "No Output mode".

3-2. Screen Description

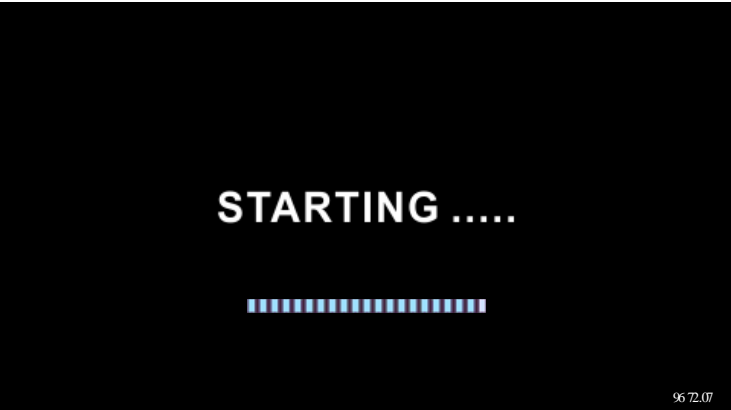
After initialization, the LCD will display main screen. There are five sub-menus: Control, measure, setting, information and data log. Touch any sub-menu icon to enter into the sub-screen.



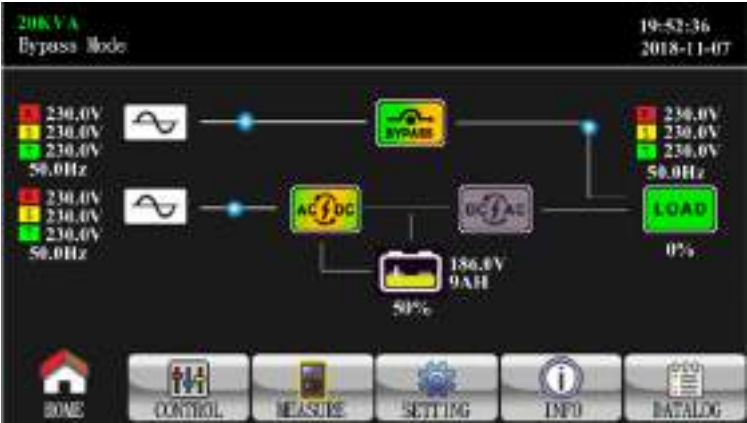
Menu tree

3-2-1. Main Screen


Upon powering on, the LCD will start initialization approximately few seconds as shown below.




After initialization, the main screen will display as shown below. On the button, there are five icons to represent five sub-menus: Control, measure, setting, information, data log.

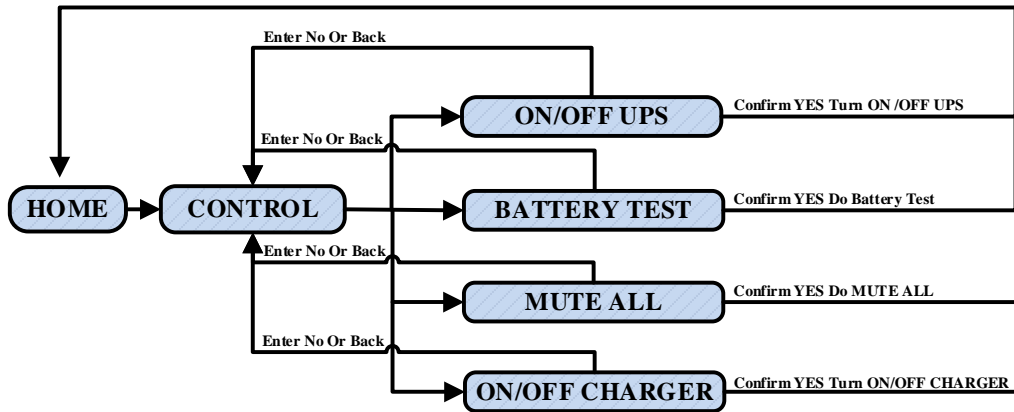


3-2-2. Control Screen

Touch the icon  to enter control sub-menu.



Touch  icon to return back to main screen no matter it's in any screen of any submenu.



Screen 1.0 «Control» and its sub-menus

➤ **On/Off UPS**

It will show “Turn on UPS?” when UPS is off.

It will show “Turn off UPS?” when UPS is on.

Touch “YES” to turn on or off the UPS. Then, the screen will return to main screen (screen 0.0).

Touch “Back” to return to main screen immediately or “No” to cancel this operation and back to main screen (screen 0.0).



TURN ON UPS



TURN OFF UPS

➤ **Battery Test**

It will show “Battery Test” if the UPS is not in test. Touch “Yes” to start battery test. Then, it will show “Battery testing.....” during battery test period. After few seconds, battery test result will show on the screen. Touch “Back” to return to main screen immediately or “No” to cancel this operation and back to main screen (screen 0.0).

It will show “Cancel battery test” if the UPS is in test.




Battery Test



Cancel Battery Test

➤ **Audio mute**

It will show “Mute all” if the audio is active. Touch “Yes” to activate mute. If “Mute all” is active, it will show  icon on the top left corner of the main screen. Touch “Back” to return to CONTROL screen immediately or “No” to cancel this operation and back to CONTROL screen (screen 0.0).

It will show “Cancel mute” if the UPS is mute already. Touch “Yes” to activate audio function or “No” keep mute. Touch “Back” to return to CONTROL screen (screen 0.0).



Mute All

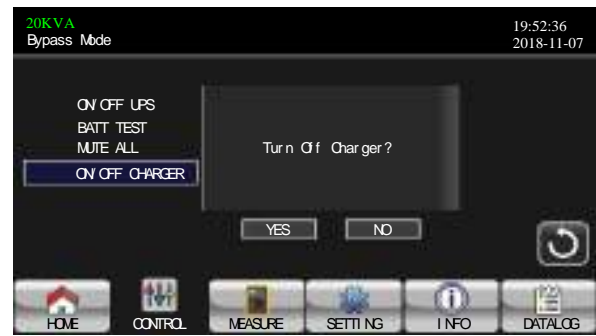


Cancel Mute all




➤ **On-Off Charger**



It will show “Turn on Charger?” when the charger is off. It will show “Turn off Charger?” when the charger is on. Touch “YES” to turn off or off the charger. Or touch “NO” to cancel this operation. Then, the screen will return to the main screen.

Touch “Back” to return to CONTROL screen immediately.



3-2-3. Measure Screen

Touch the icon  to enter measure page. Touch the icon  or  to browse information.

Touch the icon  to return to main screen. Touch the icon  to go back to previous menu.



Measure screen page 1

- LINE VOL: The real time value of R, S and T phase voltage, RS/ST/TR voltage and input frequency.
- INVERTER VOL: The real time value of R, S and T inverter voltage, RS/ST/TR voltage and frequency.
- BYPASS VOL: The real time value of R, S and T bypass voltage, RS/ST/TR voltage and frequency.
- OUTPUT VOL: The real time value of R, S and T output voltage, RS/ST/TR voltage and frequency.

20KVA		19:52:36	
Bypass Mode		2018-11-07	
OUTPUT W	OUTPUT VA	BATT P VOL	204.0V
R: 4W	46VA	BATT N VOL	204.0V
S: 5W	46VA	BUS P VOL	370.5V
T: 1W	46VA	BUS N VOL	370.5V
OUTPUT W(%)	OUTPUT VA(%)	CHRG CURR	3.0A
R: 0%	0%	DISCHG CURR	0.0A
S: 0%	0%		
T: 0%	0%	TEMP P	27
TOTAL W(%)	TOTAL VA(%)	TEMP S	27
0%	0%	TEMP T	27

Measure screen page 2


- OUTPUT W: R, S and T output power in watt.
- OUTPUT VA: R, S and T output power in VA.
- OUTPUT W (%): R, S and T output power watt in percentage.
- OUTPUT VA (%): R, S and T output power VA in percentage.
- Total watt and VA: Total output load in watt and VA.
- BATT Voltage/Bus Voltage/Charging Current/Discharging Current: The real time value of DC related information.
- Temperature: Temperature of R, S and T phases.



20KVA		19:52:36	
Bypass Mode		2018-11-07	
INPUT W	INPUT VA	INPUT CURR	INPUT PF
R 4W	46VA	R 0.3A	0.08
S 4W	46VA	S 0.3A	0.08
T 4W	46VA	T 0.3A	0.08
INPUT W(%)	INPUT VA(%)	OUTPUT CURR	OUTPUT PF
R 0%	0%	R 0.3A	0.08
S 0%	0%	S 0.3A	0.08
T 0%	0%	T 0.3A	0.08
TOTAL W(%)	TOTAL VA(%)		
0%	0%		

Measure screen page 3

- INPUT W: R, S and T input power in watt.
- INPUT VA: R, S and T input power in VA.
- INPUT W (%): R, S and T input power watt in percentage.
- INPUT VA (%): R, S and T input power VA in percentage.
- Input current: The real-time value of input current in R, S and T phases.
- Output current: The real-time value of output current in R, S and T phases

3-2-4. Setting Screen

This sub-menu is used to set the parameters of UPS. Touch the icon  to enter setting menu page. There are 2 options: Basic and Advanced. Touch

the icon  to return to main screen. Touch the icon  to go back to previous menu.

NOTE: Not all settings are available in every operation mode. If the setting is not available in present mode, the LCD will keep its original setting parameter showed instead of changing the parameters.



Setting screen

- **GENERAL:** It's to set up basic information of the UPS. It's not related to any function parameter.
- **ADVANCE:** It's required to enter password to access to the "ADVANCED" setting. There are two types of authority, User and Maintainer.

General Setting





Setting screen page 1

- **Date/Time:** Set the date and time. The format is YYYY-MM-DD HH:MM:SS. The calendar day will be automatically changed when the year, month and date are set.
- **Language:** Set the LCD language. There are three options: English, Simplified Chinese and Traditional Chinese. English is default setting.

- **Input Source:** Select the input source. There are two options: Line (utility) and generator. Line is default setting. This setting value will show on the main page. When “generator” is selected, the acceptable input frequency will be fixed at the range of 40~75Hz. This setting value will show on the status bar.
- **Service Contact:** Set the name of contact person and the maximum length is 18 characters.
- **Service Phone:** Set the service phone number. Only 0~9, + and – are accepted. The maximum length is 14 characters.
- **Service Mail:** Set the service email accounts up to two and the maximum length is 36 characters.



General screen page 2

- **Audio Alarm:** There are two events available to mute. You may choose “Enable” or “Disable” alarm when related events occur.
 - Enable: When selected, alarm will be mute when related events occur.
 - Disable: When selected, UPS will alarm when related events occur.
- All Mute: When “enable” is selected, all the faults and warnings will be mute. It will show  icon on the top right corner of the main screen.
- Mode Mute: UPS status mode alarm enable/disable. If “Mode Mute” is activated, it will show  icon on the top right corner of the main screen.

Advance Setting



Advance Password page

It's required to enter password (4 digits) to access to the "ADVANCE" page.

- **Advance → User**

To access to the "Advance→User" Setting menu page, the default password is "0000".

If entered password is right, the page will jump to setting screen. If the password is wrong, it will ask to enter again.



Password error page



Advance Setting Menu Page

ELECTRICAL



Electrical Setting Page 1

- Output VOL.: Select the output rated voltage.
 - If the UPS is HV system, there are four options, 208V, 220V, 230V and 240V.
 - If the UPS is LV system, there are two options, 120V and 127V.
- Output FRE: Select output rated frequency.
 - **50Hz:** The output frequency is setting for 50Hz.
 - **60Hz:** The output frequency is setting for 60Hz.
- CVCF Mode (constant voltage and constant frequency function)
 - **Enable:** CVCF function is enabled. The output frequency will be fixed at 50Hz or 60Hz according to setting of “OP Freq.”. The input frequency could be from 46Hz to 54Hz.
 - **Disable:** CVCF function is disabled. The output frequency will synchronize with the bypass frequency within 46~54 Hz for 50Hz system or within 56~64 Hz for 60Hz system. Disable is the default setting.
- Bypass Forbid:
 - **Enable:** Bypass forbid is allowed. When selected, it's not allowed for running in Bypass mode under any situations.
 - **Disable:** Bypass forbid is not allowed. When selected, UPS will run in Bypass mode depending on “Bypass at UPS off” setting. It is the default setting.



Electrical Setting Page 2

- Bypass at UPS off: Select the bypass status when manually turning off the UPS. This setting is only available when “Bypass forbid.” is set to “Disable”.
 - **Enable:** Bypass enabled. When selected, bypass mode is activated.
 - **Disable:** Bypass disabled. When selected, no output through bypass when manually turning off the UPS.
- Bypass Voltage Range: Set the bypass voltage range.
 - **L:** Low voltage point for bypass. The setting range is 176V ~ 209V when UPS is HV system. The setting range is 96V ~ 110V when UPS is LV system.

- **H:** High voltage point for bypass. The setting range is 231V ~ 264V when UPS is HV system. The setting range is 130V ~ 146V when UPS is LV system.
- Bypass FRE Range: Set the bypass frequency range.
The acceptable bypass frequency range from 46Hz to 54Hz when UPS is 50Hz system and from 56Hz to 64Hz when UPS is 60Hz system.
- ECO mode: Enable/Disable ECO mode. Default setting is “Disable”.
- ECO Voltage Range: Set the ECO voltage range.
 - **L:** Low voltage point for ECO mode. The setting range is from (Rated output voltage – 5V) to (Rated output voltage - 11V). “Rated output voltage – 5V” is default setting.
 - **H:** High voltage point for ECO mode. The setting range is from (Rated output voltage + 5V) to (Rated output voltage + 11V). “Rated output voltage + 5V” is default setting.
- ECO FRE Range: Set the ECO frequency range. The setting range is from 46Hz to 54Hz when the UPS is 50Hz system and from 56Hz to 64Hz when the UPS is 60Hz system.

BATTERY



Battery setting page

- Battery Warning Voltage:
 - **HIGH:** High battery warning voltage. The setting range is 14.0V ~ 15.0V. 14.4V is default setting.
 - **LOW:** Low battery warning voltage. The setting range is 10.1V ~ 14.0V. 11.4V is default setting. This parameter setting is related to “Shutdown Voltage” setting. This setting value should be higher than “Shutdown Voltage” setting.
- Shutdown Voltage: If battery voltage is lower than this point in battery mode, UPS will automatically shut down. The setting range is 10V ~ 12V. 10.7V is default setting. (This setting is only available for long-run model)
- Battery Parameter:
 - Battery AH: setting battery capacity

MISCELLANEOUS



Miscellaneous setting page

- Auto Restart:
 - **Enable:** After “Enable” is set, once UPS shutdown occurs due to low battery and then utility restores, the UPS will return to line mode.
 - **Disable:** After “Disable” is set, once UPS shutdown occurs and the utility restores, the UPS will not automatically turn on.
- Shutdown Delay Min: UPS will shut down in setting minutes. The countdown will start after confirming the pop-up screen.
- Restore Delay Min: UPS will automatically restart in setting minutes after the UPS shuts down.
- New Password: Set up new password to enter “ADVANCE → User” menu.
- **ADVANCE → Maintainer**



Advance: Maintainer Setting Menu Page 1



Advance: Maintainer Setting Menu Page 2

To access the “Advance→Maintainer” Setting menu page, it’s required to enter password. Please contact your local dealer to get maintainer password.

CAUTION: This setting menu is only for qualified technician. Otherwise, mis-operation will cause UPS damage.

There are **five** sub-menus under “Advance→Maintainer” setting: SYS PARAMETER, INSTALL INFO, VOL CALI, CURR CALI, INITIAL, ELECTRONIC, BATT, MISCELLANEOUS and UPS SELFTEST.

SYS PARAMETER



SYS PARAMETER Page 1

- Model Name: Set the UPS model name.
 - Serial Number: Set the serial number.
 - Manufacturer: Set the UPS manufacturer.
 - Charger Number: The number of charging boards installed in the UPS.
- NOTE:** It’s required to restart the UPS after setting.
- Max Charge Current:
 - One piece of charger: There are twelve options: 1A, 2A, 3A, 4A, 5A, 6A, 7A, 8A, 9A, 10A, 11A, 12A.
 - Two pieces of charger: There are twelve options: 2A, 4A, 6A, 8A, 10A, 12A, 14A, 16A, 18A, 20A, 22A, 24A

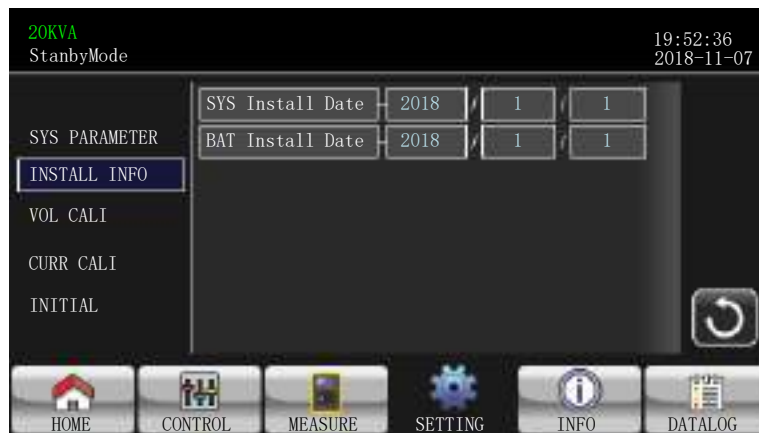
- BATT Number: The total number of installed battery. (It's required to restart the UPS after setting.) The setting range is 16 ~ 20. 16 is default setting.
- Float VOL: The setting point of battery float voltage. 13.6V is default setting.
- UPS Type: There are two options, HV and LV. This change is only allowed for qualified technician.

NOTE: It's required to restart the UPS after setting.



SYS PARAMETER Page 2

INSTALL INFO







INSTALL INFO Page

- SYS Install Date: Set the date of UPS installation.
- BAT Install Date: Set the date of Battery installation.

VOL CALI








VOL CALI Page1

- Bus VOL: BUS voltage calibration. Click value columns and it will pop up . Then, each click is 0.1% no matter it's pressing up or down key . Press "up" key to increase 0.1% and press "down" key to decrease 0.1%. Press "OK" key to confirm the modification.
- BATT VOL: Battery voltage calibration. Click value columns and it will pop up . Then, each click is 0.1% no matter it's pressing up or down key . Press "up" key to increase 0.1% and press "down" key to decrease 0.1%. Press "OK" key to confirm the modification.









VOL CALI Page 2

- Line VOL: Line voltage calibration. Click value columns and it will pop up . Then, each click is 0.1% no matter it's pressing up or down key . Press "up" key to increase 0.1% and press "down" key to decrease 0.1%. Press "OK" key to confirm the modification.

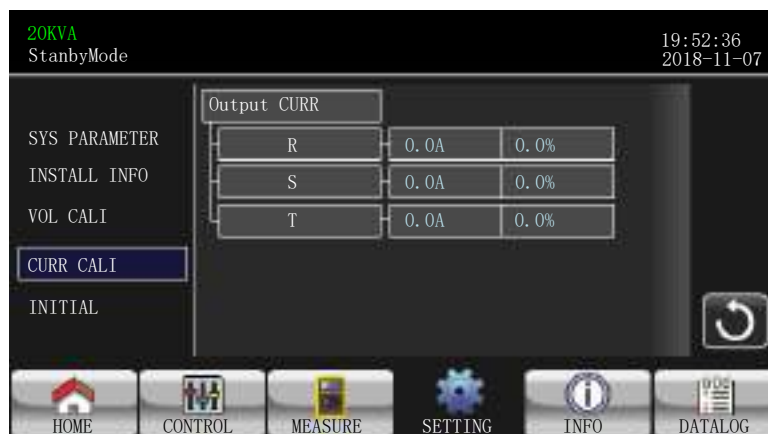
- Output VOL: Output voltage calibration. Click value columns and it will pop up 
. Then, each click is 0.1% no matter it's pressing up or down key . Press "up" key to increase 0.1% and press "down" key to decrease 0.1%. Press "OK" key to confirm the modification.






VOL CALI Page 3

- Inverter VOL: Inverter voltage calibration. Click value columns and it will pop up 
. Then, each click is 0.1% no matter it's pressing up or down key . Press "up" key to increase 0.1% and press "down" key to decrease 0.1%. Press "OK" key to confirm the modification.
- Bypass VOL: Bypass voltage calibration. Click value columns and it will pop up 
. Then, each click is 0.1% no matter it's pressing up or down key . Press "up" key to increase 0.1% and press "down" key to decrease 0.1%. Press "OK" key to confirm the modification.

CURR CALI



CURR CALI Page

- Output CURR: Output current calibration. Click value columns and it will pop up 
. Then, each click is 0.1% no matter it's pressing up or down key . Press "up" key to increase 0.1% and press "down" key to decrease 0.1%. Press "OK" key to confirm the modification.

INITIAL



INITIAL menu Page



INITIAL → DATA LOG Page

- DATA LOG: After clicking “DATA LOG”, it will pop up a message board as shown in above screen. Touch “YES” to clear the DATALOG page. Touch “Back” or “No” to cancel this operation and back to INITIAL menu page.



INITIAL → PARAMETERS Page

- PARAMETERS: After clicking “PARAMETERS”, it will pop up a message screen as shown in above screen. Touch “YES” to restore default value. Touch “Back” or “No” to cancel this operation and back to INITIAL menu page.



INITIAL → CALI Page

- CALI: After clicking “CALI”, it will pop up a message board as shown in above screen. Touch “YES” to restore default calibration value. Touch “Back” or “No” to cancel this operation and back to INITIAL menu page.



INITIAL → EEPROM Page

- EEPROM: After clicking “EEPROM”, it will pop up a message board as shown in above screen. Touch “YES” to clear all setting value in EEPROM. Touch “Back” or “No” to cancel this operation and back to INITIAL menu page.



INITIAL → TOUCH CALI Page

- TOUCH CALI: After pressing the confirmation window, it will pop up as shown in above screen. Touch screen to recalibrate. Then, the blue screen appears and please clicks on the place of the cross with your mouse.

ELECTRICAL



Electrical Setting Page 1

- Output VOL: Select the output rated voltage.
 - When UPS is HV system, there are four options, 208V , 220V ,230V and 240V.
 - When UPS is LV system, there are two options, 120V and 127V.
- Output FRE: Select output rated frequency.
 - **50Hz:** The output frequency is setting for 50Hz.
 - **60Hz:** The output frequency is setting for 60Hz.
- CVCF Mode (constant voltage and constant frequency function)
 - **Enable:** CVCF function is enabled. The output frequency will be fixed at 50Hz or 60Hz according to setting of “Output Freq.”. The input frequency could be from 46Hz to 64Hz.
 - **Disable:** CVCF function is disabled. The output frequency will synchronize with the bypass frequency within 46~54 Hz for 50Hz system or within 56~64 Hz for 60Hz system. Disable is the default setting.
- Bypass Forbid:
 - **Enable:** Bypass Forbid is enabled. It's not allowed for running in Bypass mode under any situations.
 - **Disable:** Bypass Forbid is disabled. UPS will run in Bypass mode. It is the default setting.



Electrical Setting Page 2

- Bypass at UPS off: Select the bypass status when manually turning off the UPS. This setting is only available when “Bypass forbid” is set to “Disable”.
 - **Enable:** Bypass enabled. When selected, bypass mode is activated.
 - **Disable:** Bypass disabled. When selected, no output through bypass when manually turning off the UPS.
- Bypass Voltage Range: Set the bypass voltage range.
 - **L:** Low voltage point for bypass. The setting range is 176V ~ 209V when the UPS is HV system. The setting range is 96V ~ 110V when the UPS is LV system.
 - **H:** High voltage point for bypass. The setting range is 231V ~ 264V when the UPS is HV system. The setting range is 139V ~ 146V when the UPS is LV system.
- Bypass FRE Range: Set the bypass frequency range.
The acceptable bypass frequency range from 46Hz to 54Hz when UPS is 50Hz system and from 56Hz to 64Hz when UPS is 60Hz system.
- ECO mode: Enable/Disable ECO mode. Default setting is “Disable”.
- ECO Voltage Range: Set the ECO voltage range.
 - **L:** Low voltage point for ECO mode. The setting range is from (Rated output voltage – 5V) to (Rated output voltage - 11V). “Rated output voltage – 5V” is default setting.
 - **H:** High voltage point for ECO mode. The setting range is from (Rated output voltage + 5V) to (Rated output voltage + 11V). “Rated output voltage + 5V” is default setting.
- ECO FRE Range: Set the ECO frequency range. The setting range is from 48Hz to 52Hz when the UPS is 50Hz system and from 58Hz to 62Hz when the UPS is 60Hz system.

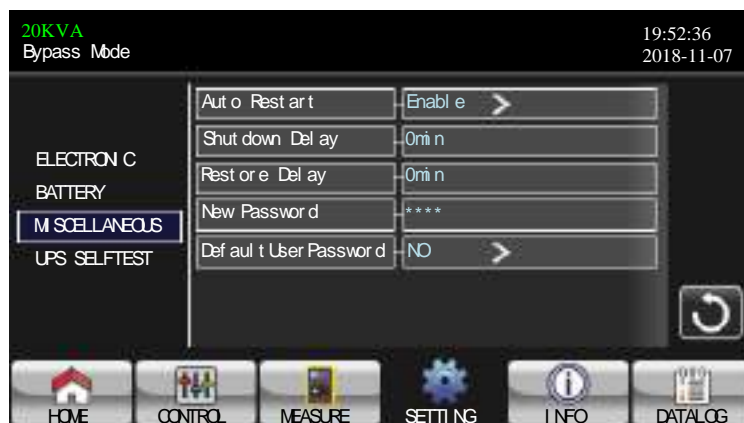
BATTERY



Battery setting page

- Battery Warning Voltage:
 - **HIGH:** High battery warning voltage. The setting range is 14.0V ~ 15.0V. 14.4V is default setting.
 - **LOW:** Low battery warning voltage. The setting range is 10.1V ~ 14.0V. 11.4V is default setting. This parameter setting is related to “Shutdown Voltage” setting. The setting value should be higher than “Shutdown Voltage” setting.
- Shutdown Voltage: If battery voltage is lower than this point in battery mode, UPS will automatically shut down. The setting range is 10.0V ~ 12.0V. 10.7V is default setting (This setting is only available for long-run model)
- Battery Parameter:
 - Battery AH: setting battery capacity.

MISCELLANEOUS

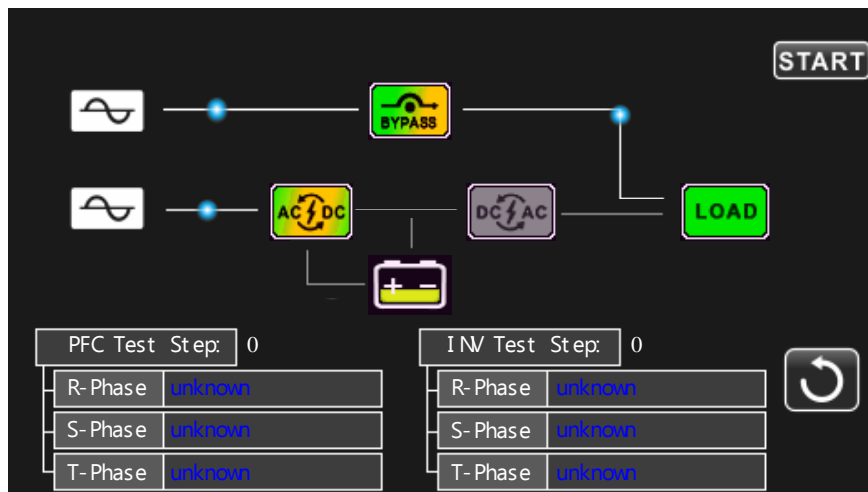


Miscellaneous setting page

- Auto Restart:
 - **Enable:** After “Enable” is set, once UPS shutdown occurs due to low battery and then utility restores, the UPS will return to line mode.

- **Disable:** After “Disable” is set, once UPS shutdown occurs and the utility restores, the UPS will not automatically turn on.
- Shutdown Delay Min: UPS will shut down in setting minutes. The countdown will start after confirming the pop-up screen.
- Restore Delay Min: UPS will automatically restart in setting minutes after the UPS shuts down.
- New Password: Set up User new password to enter “ADVANCE➔ User” menu page.
- Default User Password:
 - **YES:** If “YES” is selected, User password will restore default setting value.
 - **NO:** If “NO” is selected, the UPS will cancel this operation.




UPS SELFTEST





This function is only effective when UPS type setting is “HV”. Therefore, please disconnect all loads and utility first before executing this function. Then, please change UPS type to “HV”. For the detailed operation, please check “System Parameter” menu under Advance➔ Maintainer directory.

After changing UPS type to “HV”, you have to restart the UPS. After the UPS is restarted, please enter Advance screen and enter Maintainer password. It will show “UPS SELFTEST” selection in the screen. In the screen, all tested items are shown “unknown”. Simply click “UPS SELFTEST” button, the UPS will start self-test. If the UPS is normal, it will show “Normal” in all columns. Otherwise, “Unknown” will be displayed in the columns.

3-2-5. Information Screen

Touch the icon  to enter information page. Touch the icon  or  to browse information.

Touch the icon  to return to main screen. Touch the icon  to go back to previous menu.



Basic Information Page 1

Basic Information

- MCU Version: MCU version.
- DSP Version: DSP version.
- Serial NO.: The serial number of UPS.
- Manufacturer: The information about manufacturer.
- Service Contact: The contact name is set in “Basic Setting”.
- Service Phone: The listed numbers are set in “Basic Setting”.
- Service Mail: The service email account is set in “Basic Setting”.



Basic Information Page 2

- SYS Install Date: The date of system installation.

- BAT Install Date: The date of battery installation.
- PAR State: The information of parallel state.
- PAR ID: The UPS ID number in parallel state.
- Input Source: The information of input source.
- All Mute: Enable/disable all mute function.
- Mode Mute: Enable/disable mode mute function.



Rated Information Page

Rated Information

- Output VOL: It shows output rated voltage.
- Output FRE: It shows output rated frequency.
- CVCF Mode: Enable/Disable CVCF mode.
- Bypass Forbid: Enable/disable bypass function.
- Bypass at UPS Off: Enable/disable auto bypass function when UPS is off.
- Auto Restart: Enable/disable auto-restart function.
- ECO Mode: Enable/disable ECO function.



Parameters Information Page 1

Parameters Information

- Line Voltage Range: The acceptable line input voltage range.
- Line FRE Range: The acceptable line input frequency range.
- Bypass Voltage Range: The acceptable input voltage range for bypass mode.
- Bypass FRE Range: The acceptable input frequency range for bypass mode.
- ECO Voltage Range: The acceptable input voltage range for ECO mode.
- ECO FRE Range: The acceptable input frequency range for ECO mode.



Parameters Information Page 2






- BATT Mode Work Time: The maximum discharge time in battery mode.
- BATT Warning VOL:
 - **HIGH**: High battery warning voltage.
 - **LOW**: Low battery warning voltage.
- Shutdown Voltage: If battery voltage is lower this point, UPS will automatically shut down.
- Battery Age: It shows battery age.
- Battery AH: It shows battery AH.
- Battery Numbers: It shows battery number.



Parameter Information Page 3

- Charger Number: The information of charger number.
- Max Charge CURR: The setting value of the maximum charging current.
- Float VOL: The setting value of the battery float voltage.
- UPS Type: The information of UPS type.
- Shutdown Delay: UPS will shut down in setting minutes. The countdown will start after confirming the pop-up screen.
- Restore Delay: UPS will automatically restart in setting minutes after the UPS shuts down.

3-2-6. Data Log Screen

Touch the icon  to enter date log page. Data log is used to record the warning and fault information of the UPS. The record contains date & time, code, type and description. Touch the icon  or  to page up or down if there are more than one page in the date log. Touch the icon  to return to main screen. Press the icon  to go back to main menu. Please refer to Section 3-6 and 3-7 for warning and fault code list.



Data Log Page

3.3 Audible Alarm

Description	Buzzer status	Muted
UPS status		
Bypass mode	Beeping once every 2 minutes	Yes
Battery mode	Beeping once every 4 seconds	
Fault mode	Beeping continuously	
Warning		
Overload	Beeping twice every second	No
Others	Beeping once every second	
Fault		
All	Beeping continuously	Yes

3-4. Single UPS Operation

1. Turn on the UPS with utility power supply (in AC mode)

- 1) After power mains is connected correctly, set the breaker of the battery pack to "ON" position (this step only necessary for long-run model). Then set the line input breaker to "ON" position. At the same time the fan will start running and the UPS will start initialization. In just a few seconds, the UPS will supply power to the loads via the Bypass mode.

NOTE: When UPS is in Bypass mode, the output voltage will be directed from mains after you switch on the input breaker. In Bypass mode, the load is not protected by the UPS. To protect your precious devices, you should turn on the UPS. Refer to next step.

- 2) Touch "CONTROL" and select "UPS on/off" icon. It will show "Turn on UPS?" in screen and select "Yes". Refer to On/Off UPS screen.
- 3) In just a few seconds, the UPS will enter into AC mode. If the mains is abnormal, the UPS will operate in Battery mode without interruption.

NOTE: When the UPS runs out battery, it will shut down automatically in Battery mode. When the mains is normalized, the UPS will auto restart in AC mode.

2. Turn on the UPS without utility power supply (in Battery mode)

- 1) Make sure that the two strings of batteries are connected correctly in order of "+,GND,-" terminals and the breaker of the battery pack is at "ON" position (only for long-run model).
- 2) Press the "POWER" button to set up the power supply for the UPS. UPS will enter to power on mode. After initialization, UPS will enter to "No Output mode".
- 3) In just a few seconds, the UPS will be turned on and enter to Battery mode.

3. Connect devices to UPS

After the UPS is turned on, you can connect devices to the UPS.

- 1) Turn on the UPS first and then switch on the devices one by one, the LCD panel will display total load level.
- 2) If it is necessary to connect the inductive loads such as a printer, the in-rush current of the load should be calculated carefully to see if it meets the overload capability of the UPS. Any load more than 150% over designed capacity the runtime will be less than 60ms.
- 3) If the UPS is overload, the buzzer will beep twice every second.
- 4) When the UPS is overload, please remove some loads immediately. It is recommended to have the total loads connected to the UPS less than 80% of its nominal power capacity to prevent overload for system safety.
- 5) If the overload time is over acceptable time listed in spec in AC mode, the UPS will automatically transfer to bypass mode. After the overloading was resolved, it will return back to AC mode. If the overload time is over acceptable time listed in spec in Battery mode, the UPS will enter fault status. At this time, if bypass is enabled, the UPS will power to the load via bypass. If bypass function is disabled or the input power is not within bypass acceptable range, it will cut off output entirely.

4. Charge the batteries

- 1) After the UPS is connected to the mains and turned on in AC mode, the charger will charge the batteries automatically except in battery mode, during battery self-test, overload or when battery voltage is high.
- 2) It's recommended to charge batteries for at least 10 hours before operation. Otherwise, the backup time may be shorter than expected.

5. Battery mode operation

- 1) When the UPS is in Battery mode, the buzzer will sound according to different battery capacity. If the battery capacity is more than 25%, the buzzer will beep once every 4 seconds. If the battery voltage drops to the alarm level, the buzzer will beep once every sec to remind users that the battery is at low level and the UPS will shut down imminently. Users could switch off some non-critical loads to disable the shutdown alarm and prolong the backup time. If there is no more load to be switched off, you have to prepare shutdown procedure to preserve working data or devices. Otherwise, there is a risk of data loss or load failure.
- 2) In Battery mode, users can touch "SETTING" → "Basic" → Audio Mute to enable "Mode Mute" to disable the buzzer.
- 3) The backup time of the long-run model depends on the external battery capacity.
- 4) The backup time may vary from different operating temperature and load type.
- 5) [When setting backup time for 16.5 hours \(default value from LCD menu\), after discharging 16.5 hours, UPS will shut down automatically to protect the battery. This battery discharge protection can be enabled or disabled through LCD menu.](#)

6. Test the batteries

- 1) If you need to check the battery status when the UPS is running in AC mode/CVCF mode/ECO mode, you could touch “CONTROL” and select “Battery Test”. Refer to “Battery Test” screen.
- 3) Users also can set battery self-test through monitoring software.

7. Turn off the UPS with utility power supply in AC mode

- 1) Touch “CONTROL” and select “Turn off UPS” icon to turn off the UPS. Refer to “UPS on/off” screen.

NOTE 1: If the UPS has been set to bypass output, it will bypass voltage from the mains to output terminal even though you have turned off the UPS (inverter).

NOTE 2: After turning off the UPS, please be aware that the UPS is working at Bypass mode there will be risk of power loss for connected devices.

- 2) In Bypass mode, output voltage of the UPS is still present. In order to cut off the output, switch off the line input breaker. The LCD display will turn off and UPS is now completely off.

8. Turn off the UPS without utility power supply in Battery mode

- 1) Touch “CONTROL” and select “Turn off UPS” icon to turn off the UPS. Refer to “UPS on/off” screen.
- 2) Then UPS will cut off power to output terminals.

9. Mute the buzzer

- 1) Touch “SETTING” and select “BASIC” item. There are two events available to mute. Refer to “SETTING” screen.
- 2) Some warning alarms can't be muted unless the error is fixed. Please refer to section 3-3 for details.

10. Operation in warning status

- 1) When LCD screen shows “Fault Mode” and the buzzer beeps once every second, it indicates that there are problems for UPS operation. Users can read the warning message(s) from “DATA LOG” menu. Please refer to the Chapter 4 for details.
- 2) Some warning alarms can't be muted unless the error is fixed. Please refer to section 3-3 for the details.

11. Operation in Fault mode

- 1) When the buzzer beeps continuously, it means that there is a fatal error with the UPS. Users can get the fault code from “DATA LOG” menu. Please refer to the Chapter 4 for details.
- 2) Please check the loads, wiring, ventilation, mains, battery and so on after the fault occurs. Don't try to turn on the UPS again before solving the issues. If the problems persist, contact the distributor or service personnel immediately.
- 3) In case of an emergency, shut off connections from mains, external battery, and output immediately to avoid possible damage to the UPS or equipment.

12. Operation in maintenance mode

This operation should only be performed by maintenance personnel or qualified technicians.

When the UPS needs to repair or service and the load could not be shut off, the UPS needs to be put into maintenance mode.

- 1) First, switch off the UPS.
- 2) Then, remove the cover of maintenance bypass switch on the panel.
- 3) Turn the maintenance switch to “BPS” position.

3-5. Parallel Operation

1. Parallel system initial startup

Please make sure that all of the running UPSs are parallel models and have the same configuration.

- 1) Turn on each UPS in AC mode respectively (Refer to section 3-4(1)). Then, measure the inverter output voltage of each phase for each UPS with a multi-meter. Calibrate the inverter output voltage by configuring inverter voltage adjustment (Refer to SETTING → ADVANCE → SYS PARAMETERS → VOL CALI screen) in LCD menu until the inverter output voltage difference of each UPS is within 1V or less.
- 2) Turn off each UPS (Refer to section 3-4-7.). Then, follow the wiring procedure in section 2-4.
- 3) Remove the cover of parallel share current cable port on the UPS, connect each UPS one by one with the parallel cable and share current cable, and then replace the cover.

4) Turn on the parallel system in AC mode

- a) Turn on the line input breaker of each UPS. If using dual-input unit, please also turn on bypass input breaker. After all UPSs enter into bypass mode, measure the output voltage between two UPSs for the same phase to make sure the phase sequence is correct. If these two voltage differences are near to zero, that means all connections are met. Otherwise, please check if the wirings are connected correctly.
- b) Turn on the output breaker of each UPS.
- c) Turn on each UPS in turns. After a while, the UPSs should enter into AC mode synchronously and then, the parallel system is now complete.

5) Turn on the parallel system in Battery mode

- a) Turn on the battery breaker (only available in long-run model) and external output breaker of each UPS.
- b) Turn on any UPS. A few seconds later, the UPS will enter into battery mode.
- c) Turn on the next UPS in sequence until all the UPSs enter into Battery mode and add to the parallel system. Now the parallel system is now complete.

If you would like to have more information regarding the parallel operation, please contact your supplier or service center for detail parallel operation instruction.

2. Add one new unit into the parallel system

- 1) You can not add one new unit into the parallel system when whole system is running. You must cut off the load and shutdown the system.
- 2) Make sure all of the UPS are the parallel models, and follow the wiring reference in section 2-4.
- 3) Install the new parallel system as per section 3-5.

3. Remove units from the parallel system

There are two methods to remove units from the parallel system:

First method:

- 1) Touch "CONTROL" → "Turn off UPS" and select "Yes" to turn of the UPS. Then, the UPS will enter into Bypass mode or No Output mode without output.
- 2) Turn off the output breaker of this unit, and then turn off the input breaker of this unit.
- 3) After it shuts down, you can turn off the battery breaker (for long-run model) and remove the parallel and share current cable. And then, remove the unit from the parallel system.

Second method:

- 1) If the bypass is abnormal, you cannot remove the UPS without interruption. You must cut off the load and shut down the system.
- 2) Make sure the bypass setting is enabled in each UPS and then turn off the system. All UPSs will transfer to Bypass mode. Remove all the maintenance bypass covers and set the maintenance switches from "UPS" to "BPS" position. Turn off all the input breakers and battery breakers in parallel system.
- 3) Turn off the output breaker and remove the parallel cable and share current cable of the UPS which you want to remove. Now, you can remove the UPS from parallel system.
- 4) Turn on the input breaker of the remaining UPS and the system will transfer to Bypass mode. Set the maintenance switches from "BPS" to "UPS" position and put the maintenance bypass covers back on.
- 5) Turn on the remaining UPS according to the previous section.



Warning: (Only for the parallel system)

- Before turning on the parallel system to activate inverter, make sure that all unit's maintenance switch at the same position.
- When parallel system is turned on, please do not operate the maintenance switch of any unit.

- The parallel system DOES NOT support ECO mode. Therefore, please DO NOT “enable” ECO mode in any unit

3-6. Fault Code

Fault code	Fault event	Icon	Fault code	Fault event	Icon
01	Bus start failure	None	42	DSP communication failure	None
02	Bus over	None	43	Overload	None
03	Bus under	None	46	Incorrect UPS setting	None
04	Bus unbalance	None	47	MCU communication failure	None
06	Converter over current	None	48	Two DSP firmware versions are incompatible in parallel system.	None
11	Inverter soft start failure	None	60	Bypass phase short circuited	None
12	High inverter voltage	None	61	Bypass SCR short circuited	None
15	Inverter B output(line to neutral) short circuited	None	62	Bypass SCR open circuited	None
16	Inverter C output(line to neutral) short circuited	None	63	Voltage waveform abnormal in R phase	None
17	Inverter A-B output (line to line) short circuited	None	64	Voltage waveform abnormal in S phase	None
18	Inverter B-C output (line to line) short circuited	None	65	Voltage waveform abnormal in T phase	None
19	Inverter C-A output (line to line) short circuited	None	66	Inverter current sample abnormal	None
1A	Inverter A negative power fault	None	67	Bypass O/P short circuited	None
1B	Inverter B negative power fault	None	68	Bypass O/P line to line short circuited	None
1C	Inverter C negative power fault	None	69	Inverter SCR short circuited	None
21	Battery SCR short circuited	None	6C	BUS voltage drops too fast	None
23	Inverter relay open circuited	None	6D	Current sampling error value	None
24	Inverter relay short circuited	None	6E	SPS power error	None
25	Line wiring fault	None	6F	Battery polarity reverse	None
31	Parallel communication failure	None	71	PFC IGBT over-current in R phase	None
32	The host signal failure	None	72	PFC IGBT over-current in S phase	None
33	Synchronous signal failure	None	73	PFC IGBT over-current in T phase	None
34	Synchronous trigger signal failure	None	74	INV IGBT over-current in R phase	None
35	Parallel communication loss	None	75	INV IGBT over-current in S phase	None
36	Parallel output current unbalance	None	76	INV IGBT over-current in T phase	None
41	Over temperature	None	78	LCD & MCU communication failure	None

3-7. Warning Code

Warning code	Warning event	Warning code	Warning event
01	Battery unconnected	21	Line situations are different in parallel system
02	IP Neutral loss	22	Bypass situations are different in parallel system
04	IP phase abnormal	33	Locked in bypass after overload 3 times in 30 minutes
05	Bypass phase abnormal	34	Converter current unbalanced
07	Over charge	3A	Cover of maintain switch is open
08	Low battery	3C	Utility extremely unbalanced
09	Overload	3D	Bypass is unstable
0A	Fan failure	3E	Battery voltage too high
0B	EPO enable	3F	Battery voltage unbalanced
0D	Over temperature	40	Charger short circuited
0E	Charger failure		

4. Trouble Shooting

If the UPS system does not operate correctly, please solve the problem by using the table below.

Symptom	Possible cause	Remedy
No indication and alarm in the front display panel even though the mains is normal.	The AC input power is not connected well.	Check if input cable firmly connected to the mains.
The warning code 0B.	EPO function is activated. At this time, the EPO switch is in "OFF" status or the jumper is open.	Set the circuit in closed position to disable the EPO function.
The warning code 01.	The external or internal battery is incorrectly connected.	Check if all batteries are connected well.
The warning code 09.	UPS is overload.	Remove excess loads from UPS output.
	UPS is overloaded. Devices connected to the UPS are fed directly by the electrical network via the Bypass.	Remove excess loads from UPS output.
	After repetitive overloads, the UPS is locked in the Bypass mode. Connected devices are fed directly by the mains.	Remove excess loads from UPS output first. Then shut down the UPS and restart it.
Fault code is shown as 43.	UPS is overload too long and becomes fault. Then UPS shut down automatically.	Remove excess loads from UPS output and restart it.
Fault code is shown as 14, 15, 16, 17, 18 or 19,	The UPS shut down automatically because short circuit occurs on the UPS output.	Check output wiring and if connected devices are in short circuit status.
Other fault codes are shown on LCD display and alarm beeps continuously.	A UPS internal fault has occurred.	Contact your dealer
Battery backup time is shorter than nominal value	Batteries are not fully charged.	Charge the batteries for at least 7 hours and then check capacity. If the problem still persists, consult your dealer.
	Batteries defect	Contact your dealer to replace the battery.

Symptom	Possible cause	Remedy
The warning code 0A.	Fan is locked or not working. Or the UPS temperature is too high.	Check fans and notify dealer.
The warning code 02.	The input neutral wire is disconnected.	Check and correct the input neutral connection. If the connection is ok and the warning is still displaying, please refer to the LCD setting section, to enter the neutral loss check menu, to see if the parameter3 is "CHE". If it is, please press the "Enter" key firstly to make the "CHE" flash and press the "Enter" key secondly to make the UPS clear the alarm. If the warning still exists, please check input fuses of L2 and L3.
	The L2 or L3 input fuse is broken.	Replace the fuse.

5. Storage and Maintenance

5.1 Storage

Before storing, charge the UPS at least 7 hours. Store the UPS covered and upright in a cool, dry location.

During storage, recharge the battery in accordance with the following table:

Storage Temperature	Recharge Frequency	Charging Duration
-25°C - 40°C	Every 3 months	1-2 hours
40°C - 45°C	Every 2 months	1-2 hours

5.1 Maintenance



The UPS system operates with hazardous voltages. Repairs may be carried out only by qualified maintenance personnel.



Even after the unit is disconnected from the mains, components inside the UPS system are still connected to the battery packs which are potentially dangerous.



Before carrying out any kind of service and/or maintenance, disconnect the batteries and verify that no current is present and no hazardous voltage exists in the terminals of high capability capacitor such as BUS-capacitors.



Only persons are adequately familiar with batteries and with the required precautionary measures may replace batteries and supervise operations. Unauthorized persons must be kept well away from the batteries.



Verify that no voltage between the battery terminals and the ground is present before maintenance or repair. In this product, the battery circuit is not isolated from the input voltage. Hazardous voltages may occur between the battery terminals and the grounding/earthing.



Batteries may cause electric shock and have a high short-circuit current. Please remove all wristwatches, rings and other conductive objects before maintenance or repair, and only use tools with insulated grips and handles for maintaining or repairing.



When replace the batteries, install the same number and same type of batteries.



Do not attempt to dispose of batteries by burning them. This could cause battery explosion. The batteries must be deposited according to local environmental regulations.



Do not open or destroy batteries. Escaping electrolyte can cause injury to the skin and eyes. It may be toxic.



Please replace the fuse only with the same type and amperage in order to avoid fire hazards.



Do not disassemble the UPS system.

6. Specifications

MODEL		PRO 10KVA, 10KVA Dual	PRO 20KVA, 20KVA Dual	PRO 30KVA, 30KVA Dual	PRO 40KVA, 40KVA Dual	PRO 60KVA, 60KVA Dual	PRO 80KVA, 80KVA Dual
CAPACITY*		10KVA / 10KW	20KVA / 20KW	30KVA / 30KW	40KVA / 40KW	60KVA / 60KW	80KVA / 80KW
INPUT							
Voltage Range	Low Line Loss	110 VAC(Ph-N) \pm 3 % at 50% Load; 176 VAC(Ph-N) \pm 3 % at 100% Load					
	Low Line Comeback	Low Line Loss Voltage + 10V					
	High Line Loss	300 VAC(L-N) \pm 3 % at 50% Load; 276 VAC(L-N) \pm 3 % at 100% Load					
	High Line Comeback	High Line Loss Voltage - 10V					
Frequency Range		46Hz ~ 54 Hz @ 50Hz system 56Hz ~ 64 Hz @ 60Hz system					
Phase		3 Phase with Neutral					
Power Factor		\geq 0.99 at 100% Load					
OUTPUT							
Phase		3 Phase with Neutral					
Output voltage		360/380/400/415VAC (Ph-Ph) 208*/220/230/240VAC (Ph-N)					
AC Voltage Regulation		\pm 1%					
Frequency Range (Synchronized Range)		46Hz ~ 54 Hz @ 50Hz system; 56Hz ~ 64 Hz @ 60Hz system					
Frequency Range (Batt. Mode)		50 Hz \pm 0.1 Hz or 60Hz \pm 0.1 Hz					
Overload	AC mode	100%~110%: 60min; 110%~125%: 10min; 125%~150%:1min;>150% : immediately					
	Battery mode	100%~110%: 60min; 110%~125%: 10min; 125%~150%:1min;>150% : immediately					
Current Crest Ratio		3:1 max					
Harmonic Distortion		\leq 2 % @ 100% Linear Load; \leq 5 % @ 100% Non-linear Load					
Transfer Time	Line \leftrightarrow Battery	0 ms					
	Inverter \leftrightarrow Bypass	0 ms (When phase lock fails, <4ms interruption occurs from inverter to bypass)					
	Inverter \leftrightarrow ECO	<10 ms					
EFFICIENCY							
AC mode		95.5%					
Battery Mode		94.5%					

BATTERY						
Type	Depending on applications					
Numbers	20	32 ~ 40 (adjustable)				
Charging Current(max.)	1.0~12.0A ±10% (Adjustable)				2.0~24.0A ±10% (Adjustable)	
Charging Voltage	+/-136.5 VDC ± 1%	+/- 13.65 VDC * N ± 1% (N = 16~20)				
PHYSICAL						
Dimension, D X W X H mm	626 x 250 x 750	815 x 300 x 1000		790 x 360 x 1010		
Net Weight (kgs)	28/30	43/45	60/65	61/71	108/112	113/117
ENVIRONMENT						
Operation Temperature	0 ~ 40°C (the battery life will down when > 25°C)					
Operation Humidity	<95 % and non-condensing					
Operation Altitude**	<1000m**					
Acoustic Noise Level	Less than 55dB @ 1 Meter	Less than 58dB @ 1 Meter	Less than 65dB @ 1 Meter	Less than 70dB @ 1 Meter	Less than 70dB @ 1 Meter	Less than 75dB @ 1 Meter
MANAGEMENT						
Smart RS-232 or USB	Supports Windows® 2000/2003/XP/Vista/2008/7/8/10, Linux, Unix, and MAC					
Optional SNMP	Power management from SNMP manager and web browser					

* Derate capacity to 90% when the output voltage is adjusted to 208VAC..

** If the UPS is installed or used in a place where the altitude is above than 1000m, the output power must be derated % 1 per 100m.

*** Product specifications are subject to change without further notice.



POWER SOLID

WWW.POWERSOLID.VN